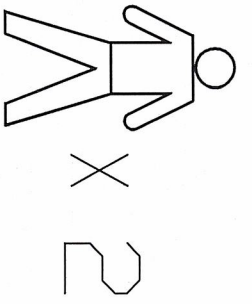
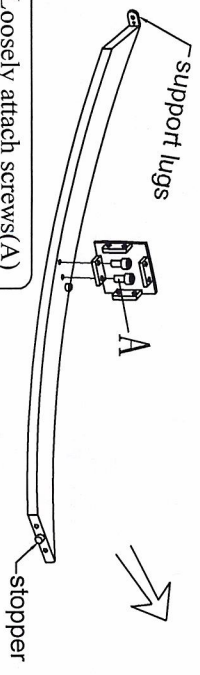


ASSEMBLY INSTRUCTION

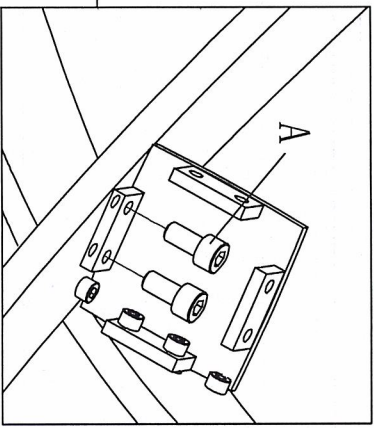
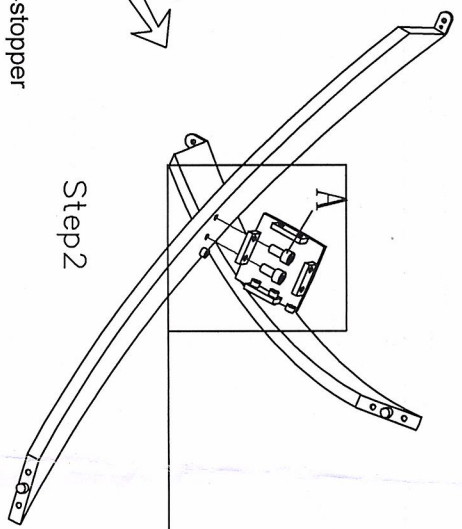


Loosely attach screws(A) to middle metal plate of legs.

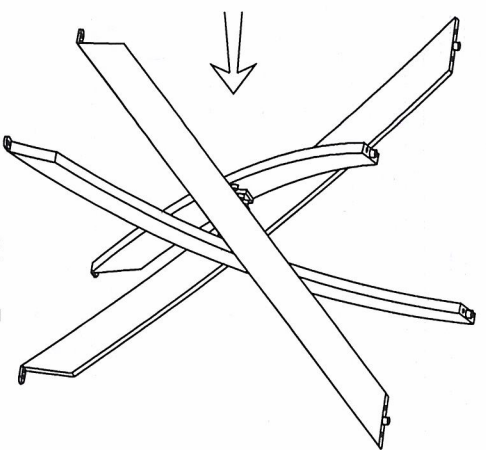
Step 1



Step 2

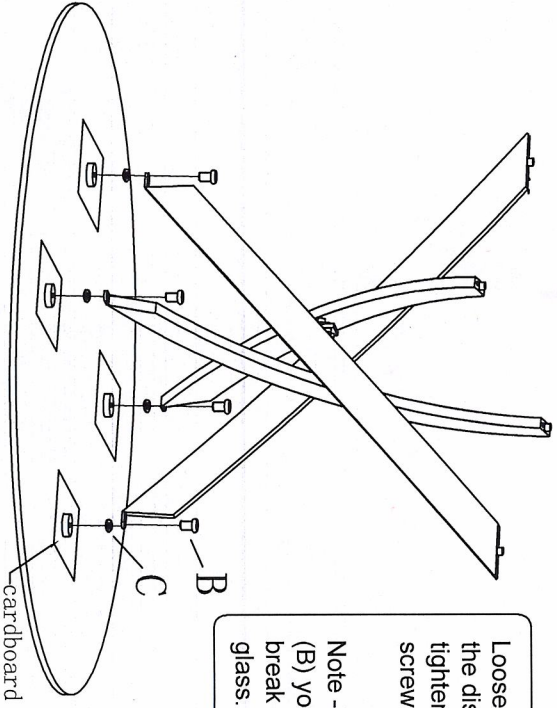


Step 3

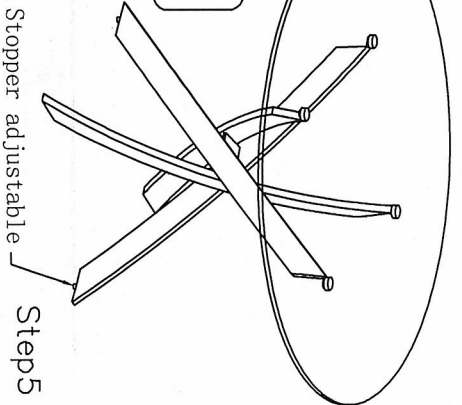


Loosely attach screws(B) to the disks on the glass, and then tighten screws(A). Finally, tighten screw (B).
 Note -Do not over tighten screws (B) you may strip the thread or break the disk away from the glass.

Step 4








Adjust the stoppers if the table is not stable



Step 5

FITTING PARTS LIST

A	B	C	D	E
				
8 PCS	4 PCS	4 PCS	1 PC	1 PC
M8x16	M8x12	PVC		