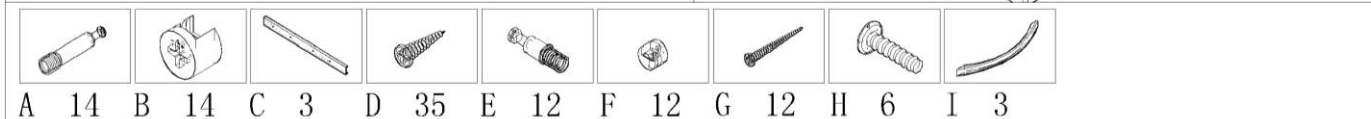
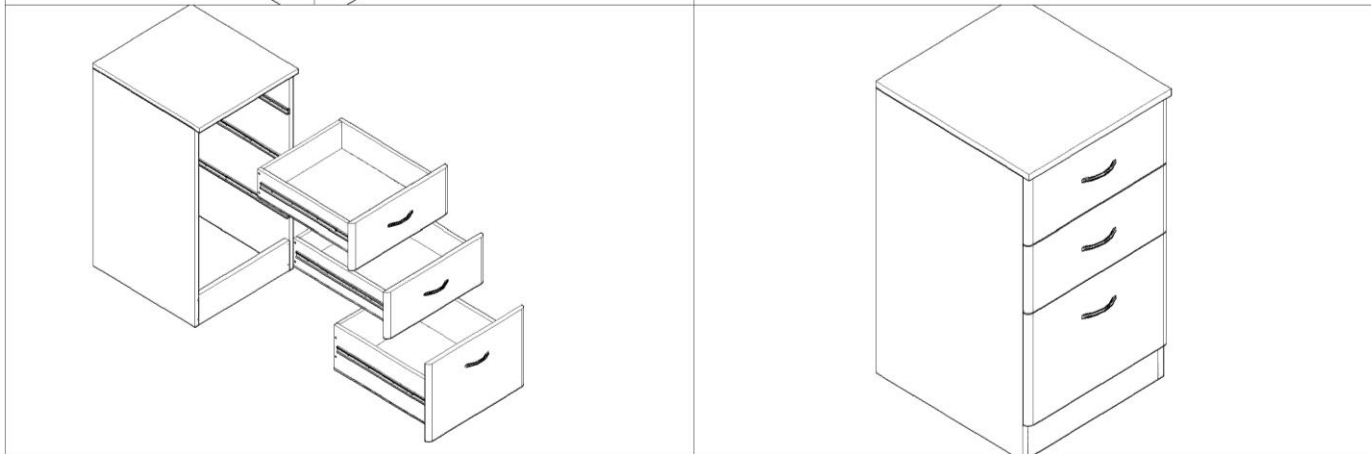
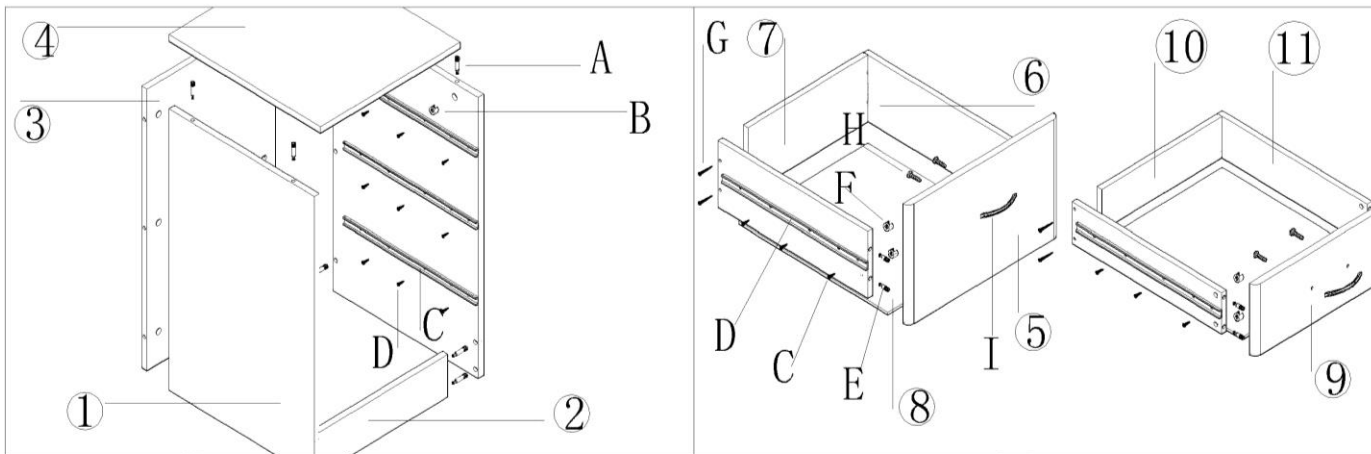


PACKAGE CONTENTS:

Item	Name	Quantity
1	leg	2
2	side board	2
3	front panel	1
4	desk top	1

ASSEMBLY STEPS:

1. Connect leg(1) with side board(2) after installing minifix(A), then lock it tightly with nut (B).
2. Install minifix(A) on side of leg, then connect it with front panel(3), locking tightly with nut (B).
3. Install minifix(A) on back side of desk top(4), then connect desk top(4) with side board(2) and front panel(3), locking tightly with nut (B).

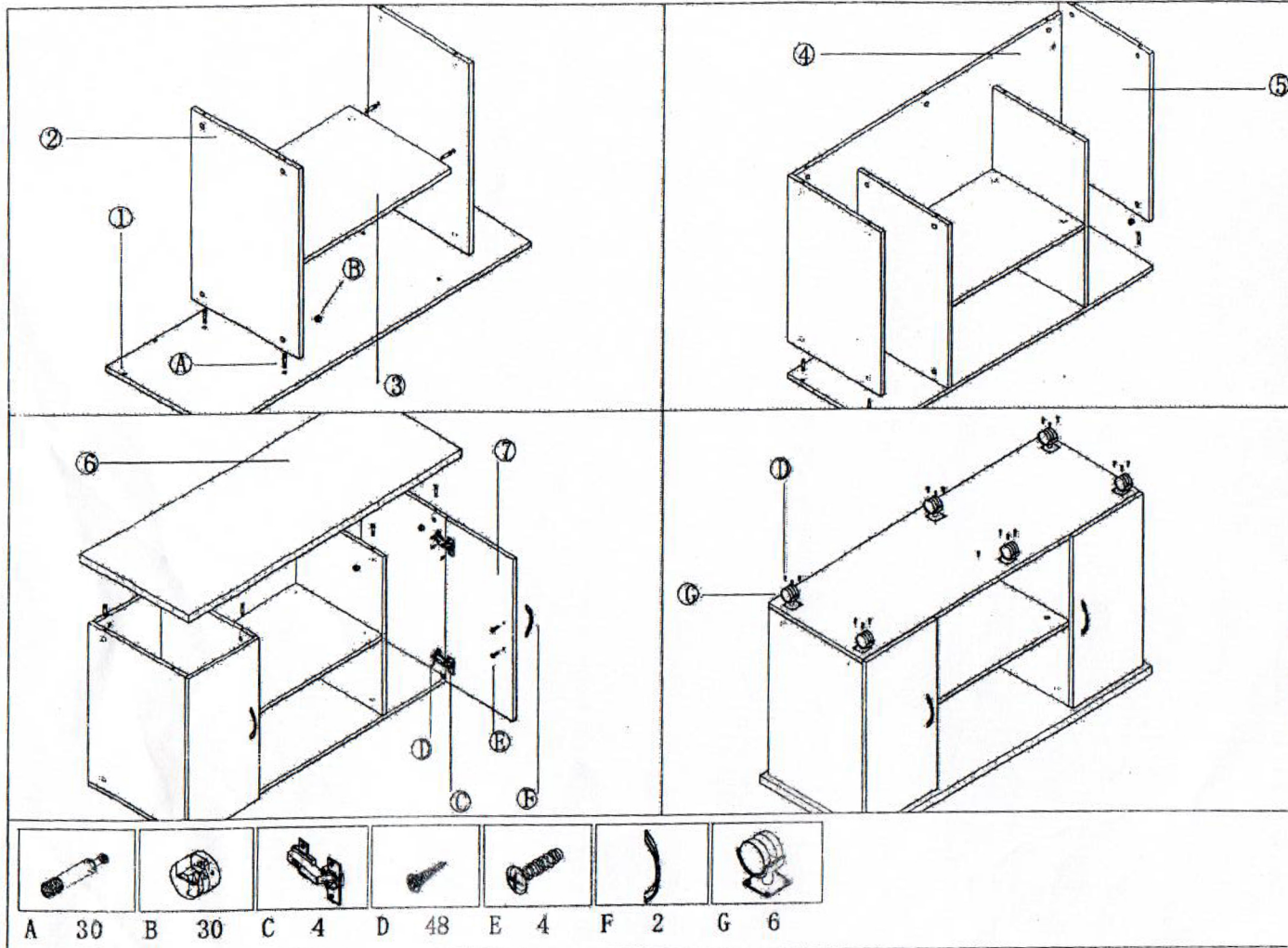


PACKAGE CONTENTS:

Item	Name	Qty	Item	Name	Qty
1	side board	2	7	drawer back	1
2	leg batten	1	8	drawer bottom	3
3	rear board	1	9	drawer front	2
4	cover board	1	10	drawer side	4
5	drawer front	1	11	drawer back	2
6	drawer side	2			

ASSEMBLY STEPS:

1. Install slide rail (C) on side board(1), and fix it with screw (D); install minifix(A) on side board(1) and cover board(4), connect side board(1) with rear board(3), leg batten(2) and cover board(4), locking tightly with nut (B).
2. Connect drawer front(5) installed minifix(E) with drawer side(6), locking tightly with nut (F). connect drawer side(6) with drawer back(7) use screw(G), inserting drawer bottom (8) to the groove of drawer front and fixing it with small nail. install handle(I) on drawer front with screw(H), install slide rail (C) on drawer side, fix it with screw(D). it is the same way to assemble another drawers.
3. Push the unit drawer into middle of side board.



PACKAGE CONTENTS:

Item	Name	Quantity
1	base board	1
2	partition board	2
3	shelf board	1
4	rear board	1
5	side board	2
6	cover board	1
7	door board	2

ASSEMBLY STEPS:

1. Install minifix(A) on partition board(2) & base board(1), connect partition board(2) with shelf board(3) and base board(1),locking tightly with nut (B).
2. Connect side board(5) with rear board(4) after installing minifix(A),then connect it with base board(1),locking tightly with nut (B).
3. Connect cover board(6) installed minifix(A) with side board (5),partition board(2) and rear board(4),locking tightly with nut (B).connect door board(7) with side board(5) use hinge (C) ,fixing it with screw(D).install handle(F) on door board(7) with screw(E).
4. Turn over the extension and install castor(G) on base board,fix the castor with screw(D).