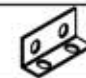







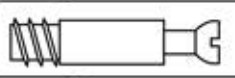







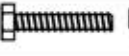


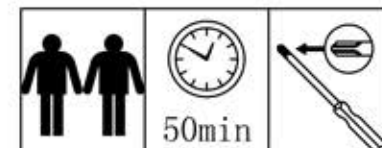


No	Part	Qty
1	Head Board	1
2	Right Bedside	1
3	Left Bedside	1
4	Foot Board	1
5	Drawer front panel	1
6	Drawer side panel	2
7	Drawer back panel	1
8	Drawer bottom panel	1
9	Center panel	1
10	Bed Support	1
11	Bed board	3

HARDWARE FOR BED			
No	Part		Qty
A		Angle iron	2
B		Spanner M8/13mm	2
C		M8x110	4
D	 	Screw M6X18	16
E		Maxiluna Washer $\phi 40 \times 15$	8
F		Cover Cap $\phi 40$	8
G		Nut M8	8
H		Quickfit ( $\phi 5 \times 33$ )	24
I		Cam $\phi 15 \times 12$	24
J		Foot wheel	6
K	 	Screw $\phi 4 \times 12$	12
L		No-bump plastic 1MM	4

HARDWARE FOR BEDSUPPORT			
No	Part		Qty
M		Gasket M6	16
N		Nut M6	8
O	 	Screw M6x45	8

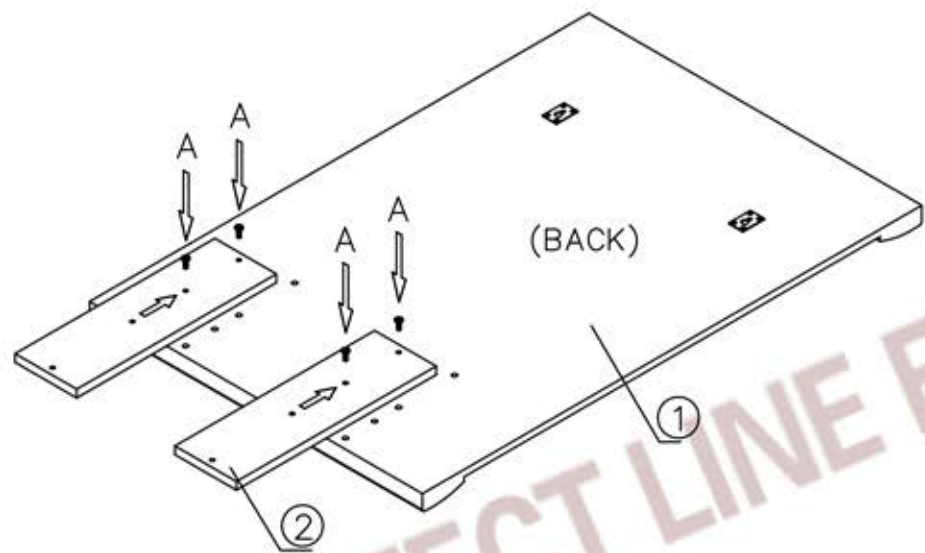

 Please check contents and read instructions before commencing assembly.  
 Please use a soft mat to avoid damaging during assembly  
 Assemble this article following the enclosed instructions carefully.



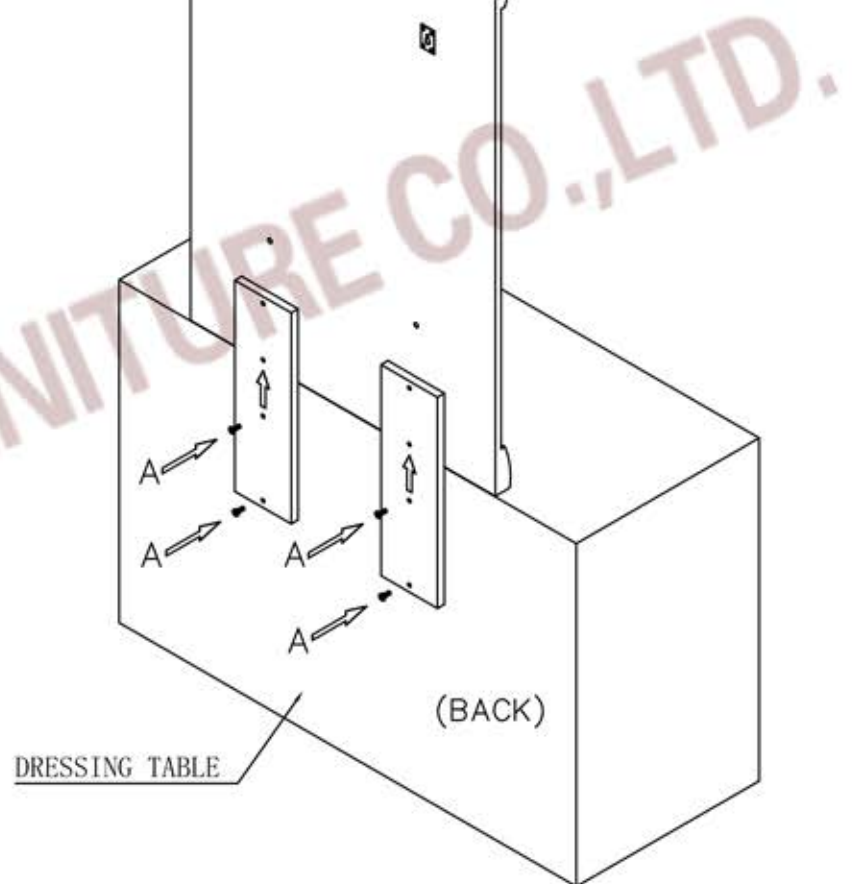
STEP1



( METHOD 1 )



STEP2



⚠ Please use a soft mat to avoid damaging during assembly

No	Part	Qty
1	Mirror Panel	1
2	Supporting Board	2

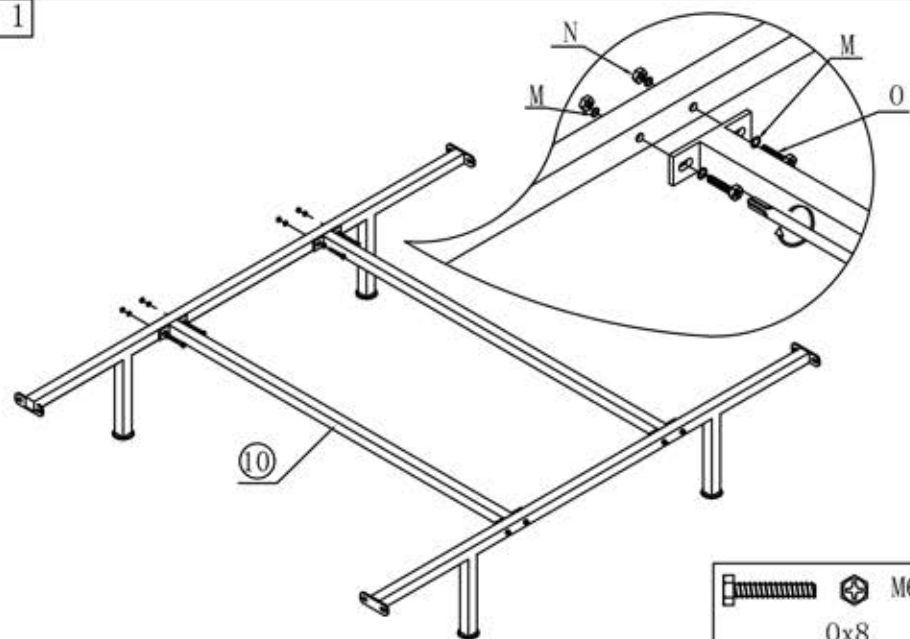
No	Part	Qty
A	Screw M6X30	8

10min



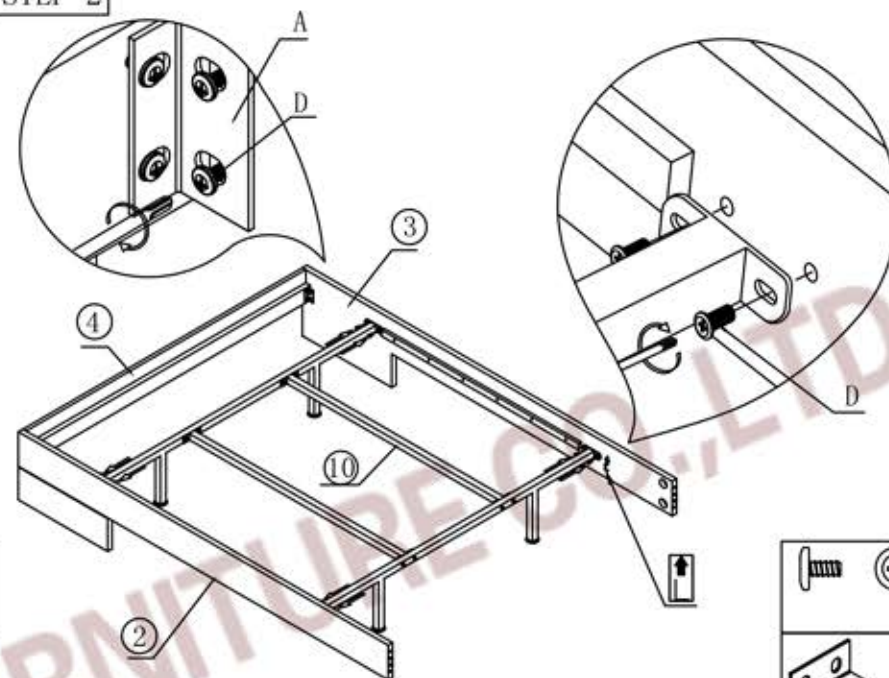


STEP 1



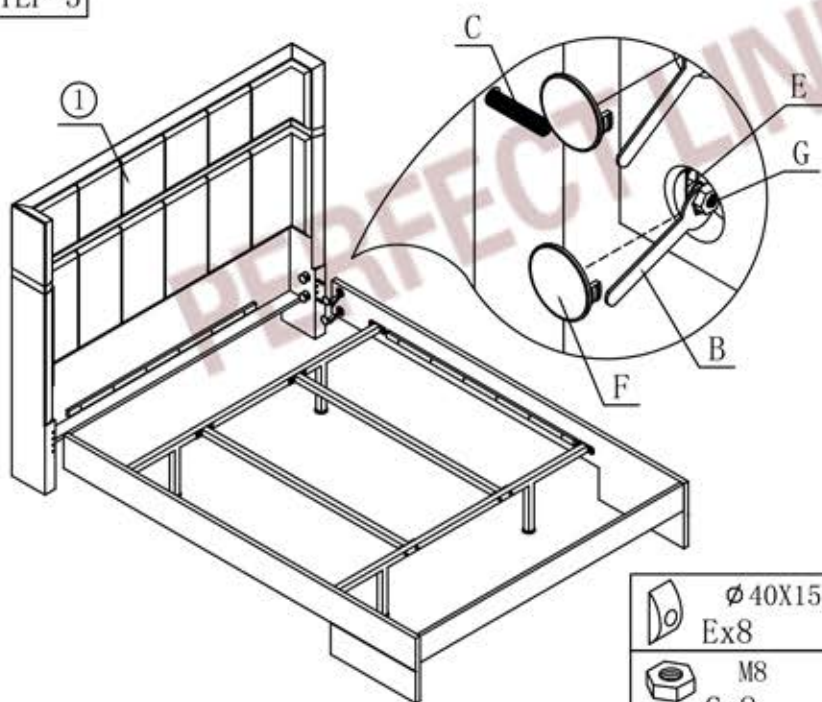
		M6x45
		Ox8
	Nut M6	
	Nx8	
		M6
		Mx16

STEP 2



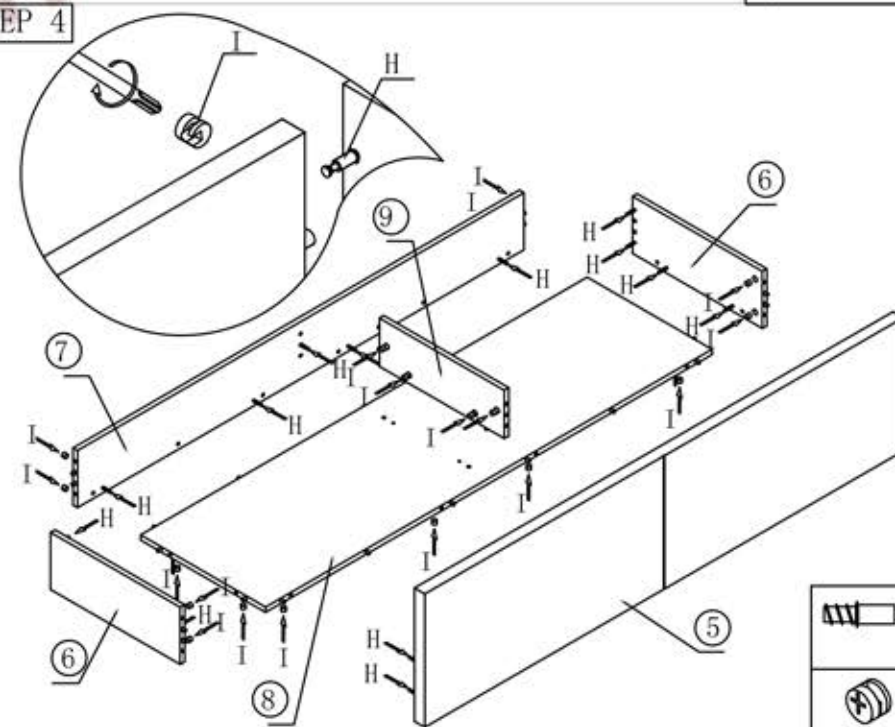
		M6x18
		Dx16
	Angle iron	AX2

STEP 3



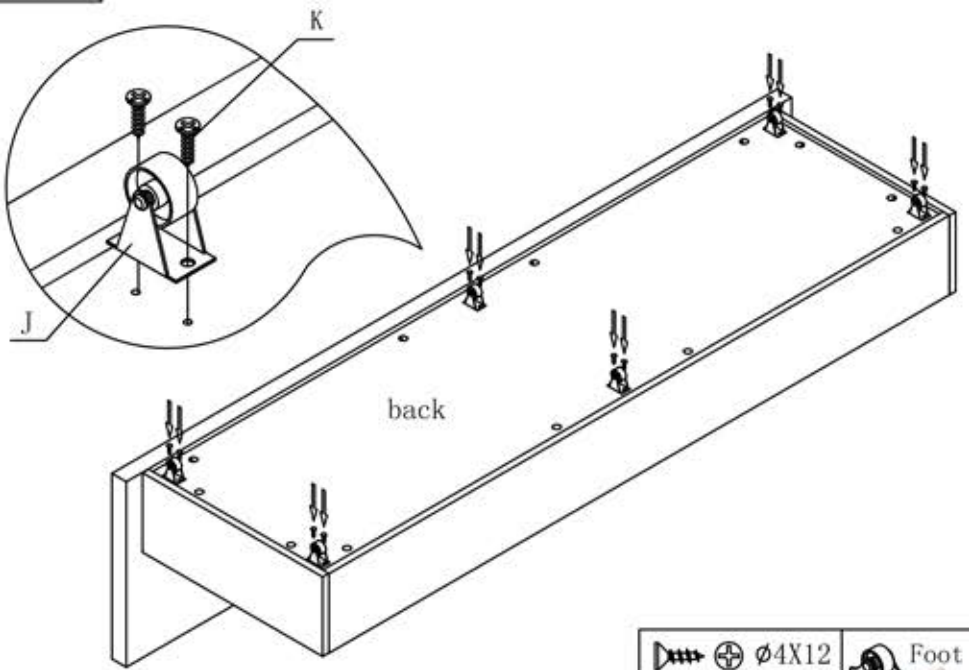
		M8x110
		Cx4
		∅40x15
		Ex8
		∅40
		Fx8
		M8
		Gx8
		M8/13mm
		Bx2

STEP 4



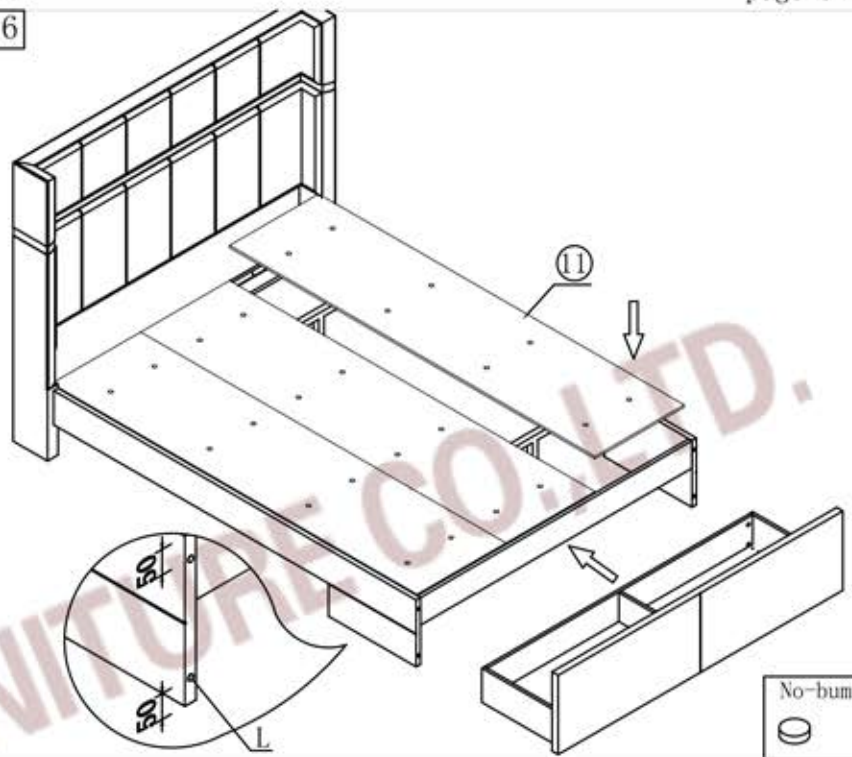
		∅5x33
		Hx24
		∅15x12
		Ix24

STEP 5



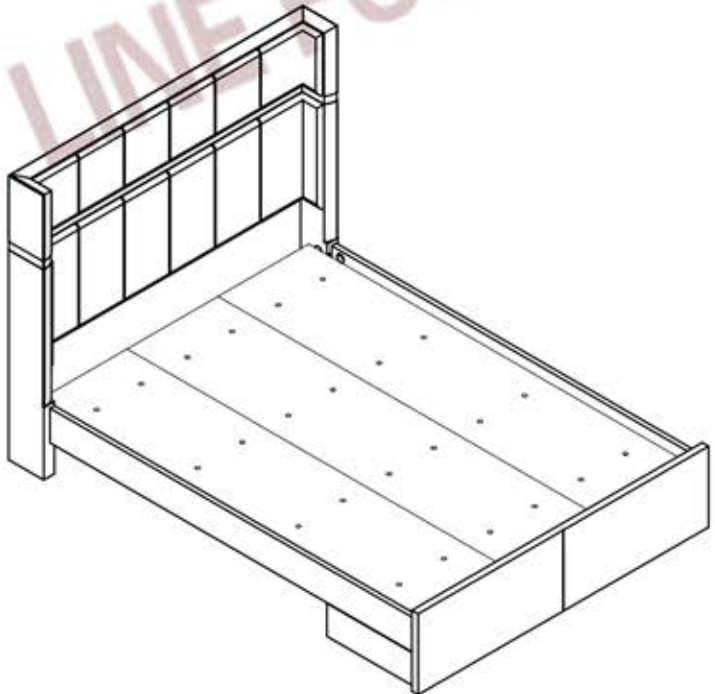
- $\oplus \text{ } \phi 4 \times 12$   
Kx12
- Foot wheel  
Jx6

STEP 6



- No-bump plastic  
1MM  
Lx4

STEP 7



PERFECT LINE FURNITURE CO. LTD.