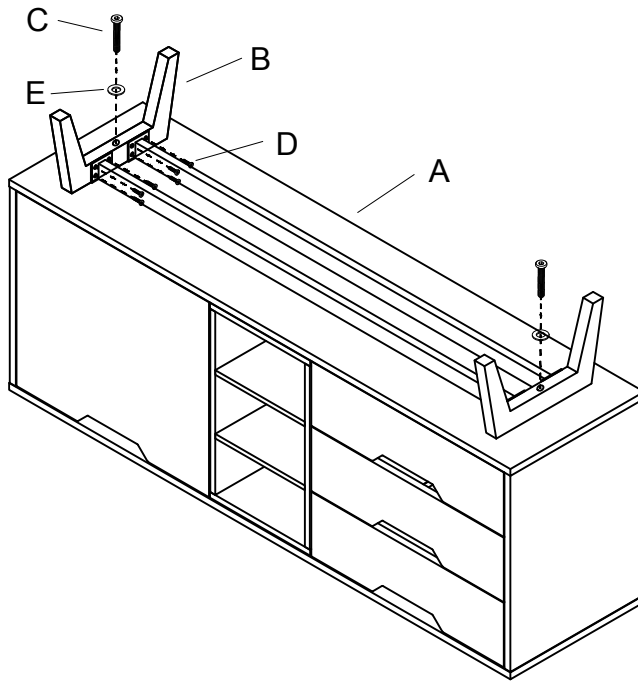


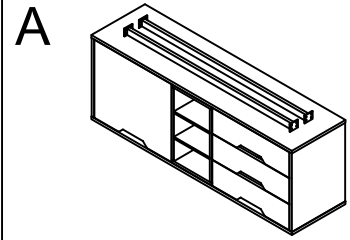
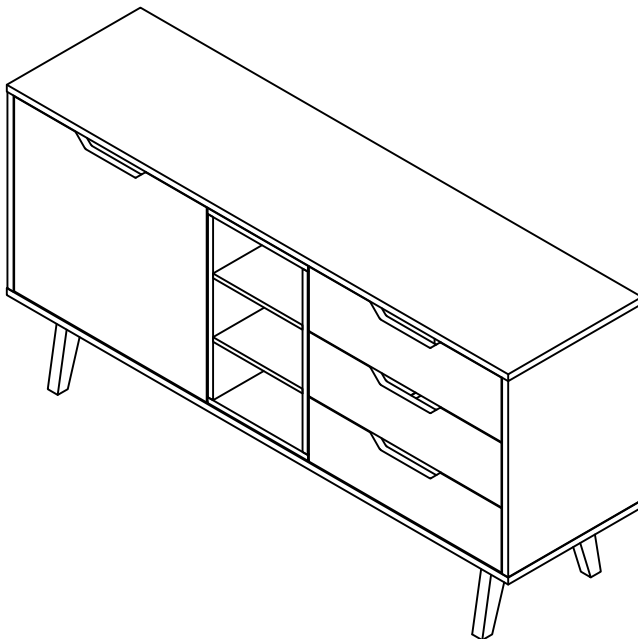
# Assembly Instruction

B21431-1

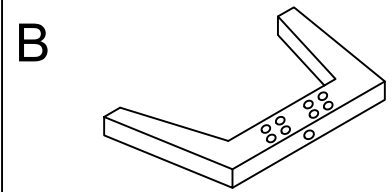
Step1



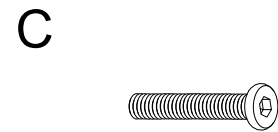
Step2



1pc



4pcs



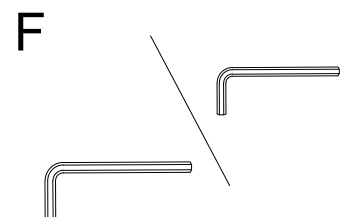
2pcs



16pcs



2pcs



2 pcs