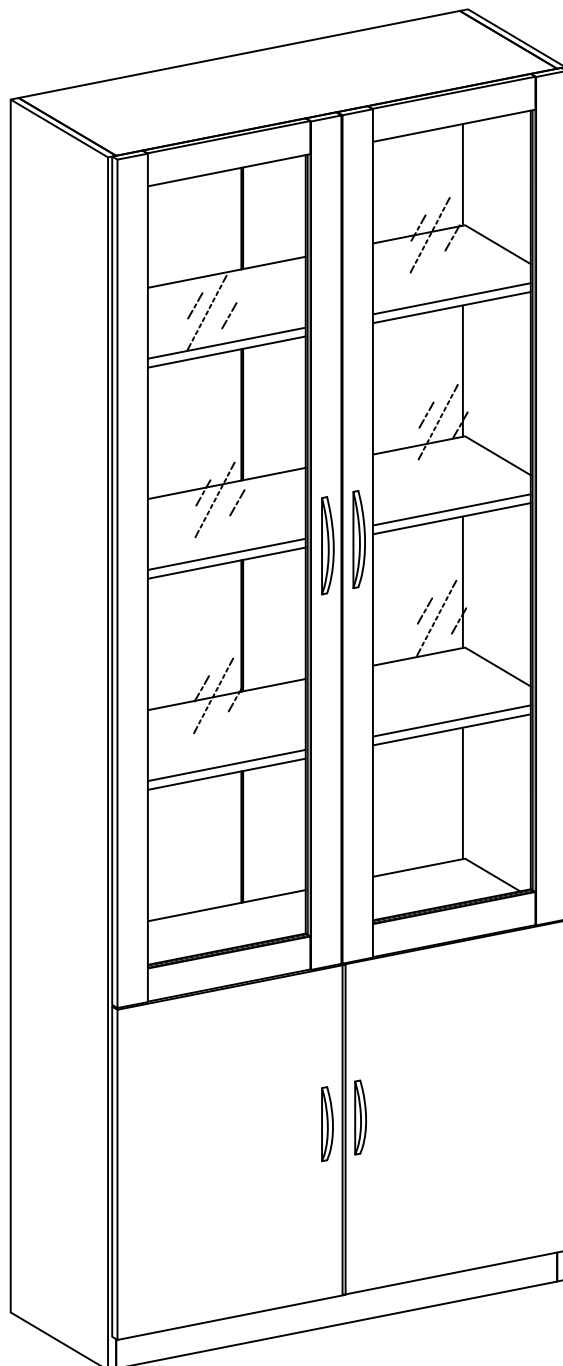


Assembly Instructions

6S116-WH1

BOOKCASE

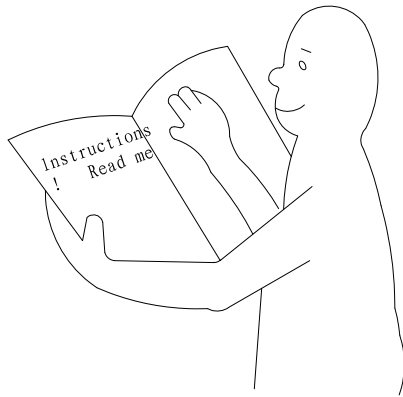


JAR
FURNITURE

STOP!

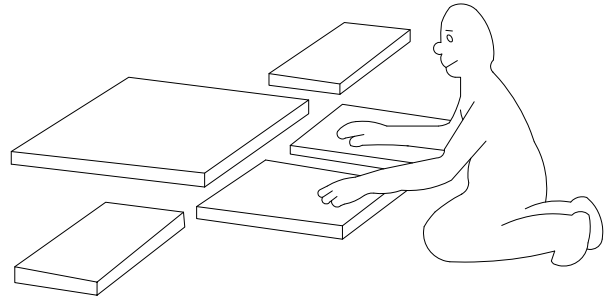
Before you start ...

1



Read instructions carefully.

2



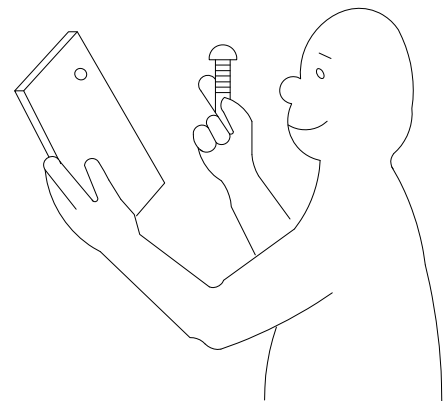
Lay out all of the components on a soft surface as if you were preparing to do a jigsaw puzzle.

3



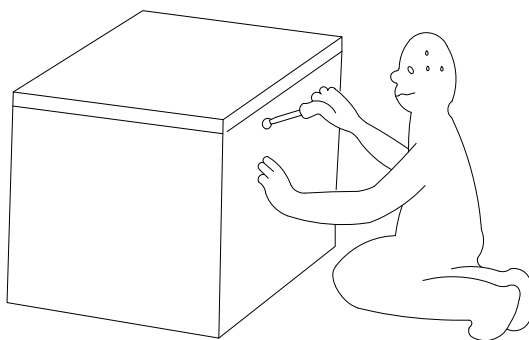
Carefully identify each component, especially those that are similar. The most common mistake is getting things back to front.

4



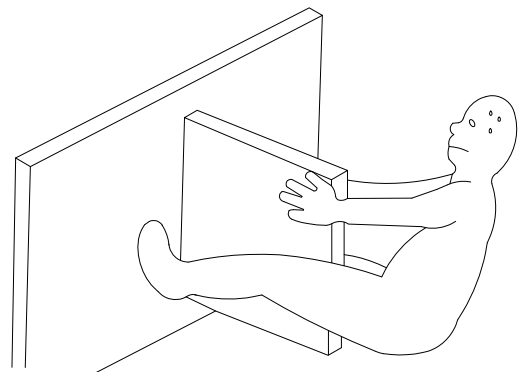
Separate and identify each component from the hardware pack and rest each one in its proper location before fastening.

5



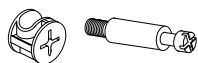
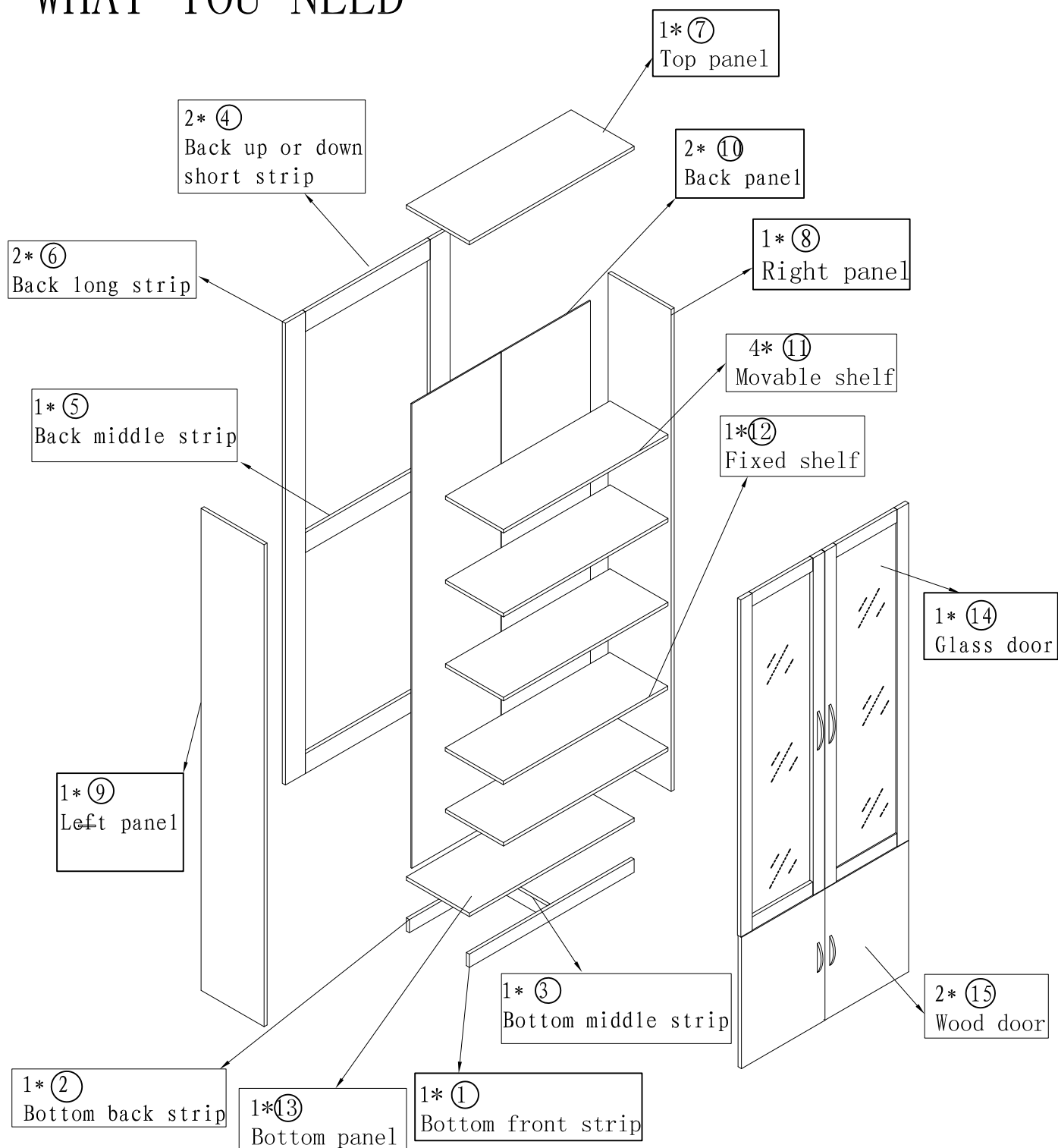
DO NOT over-tighten screws.

6



DO NOT set glue until you are certain that the parts belong together.

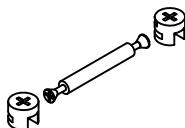
WHAT YOU NEED



34* ϕ 15 (H1)
Mili-fix



18* ϕ 8*30 (H2)
Wood



20* ϕ 15 (H3)
Mili-fix



24*M3.5*15 (H4)
screw



1*L=2100 (H5)
Rubber strip



12 (H6)
Hinge



20* ϕ 18 (H7)
Supporter



4*L=120 (H8)
Handle

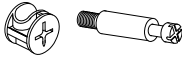



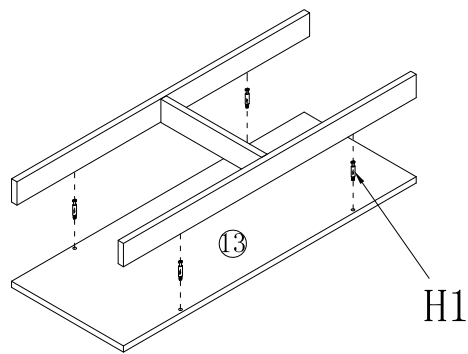
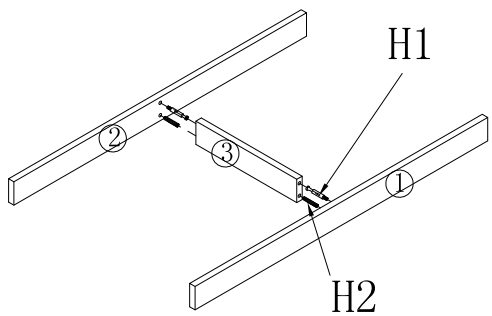
8*M4*22 (H9)
screw



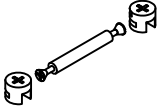
8* ϕ 8 (H10)
Rubber circle

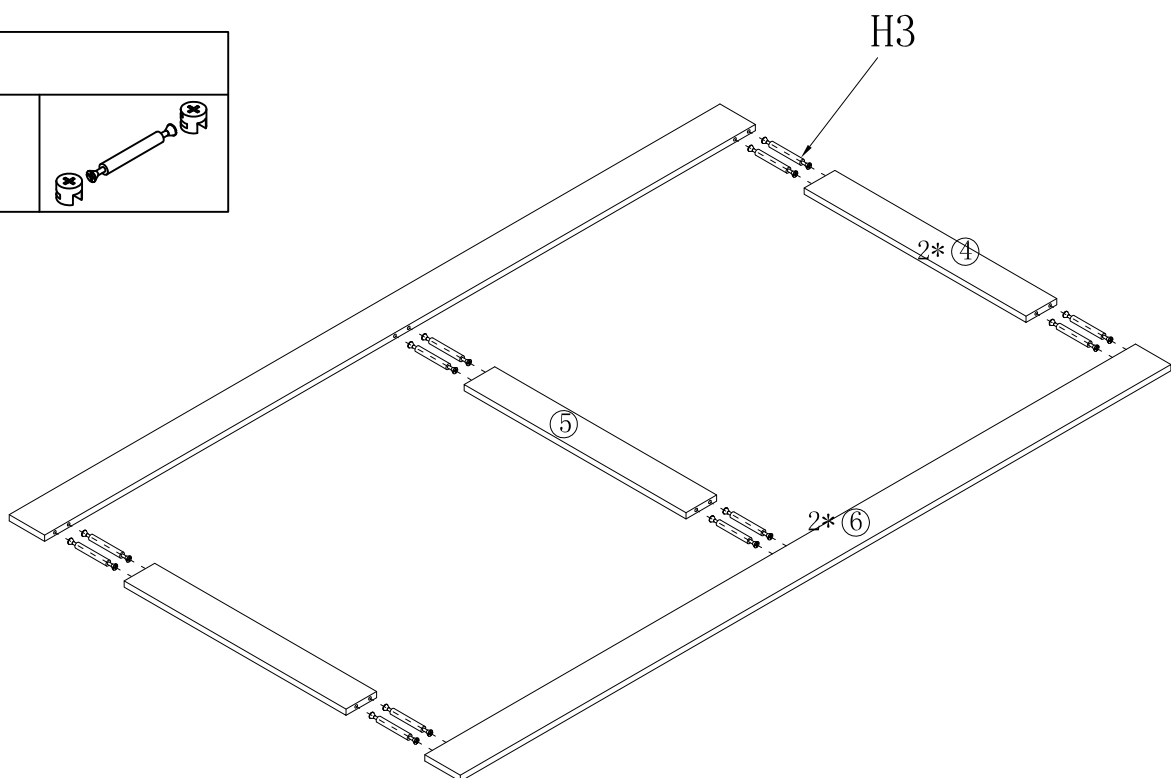
Step 1

You will need:	
6* (H1) Mili-fix	
2* (H2) Wood	





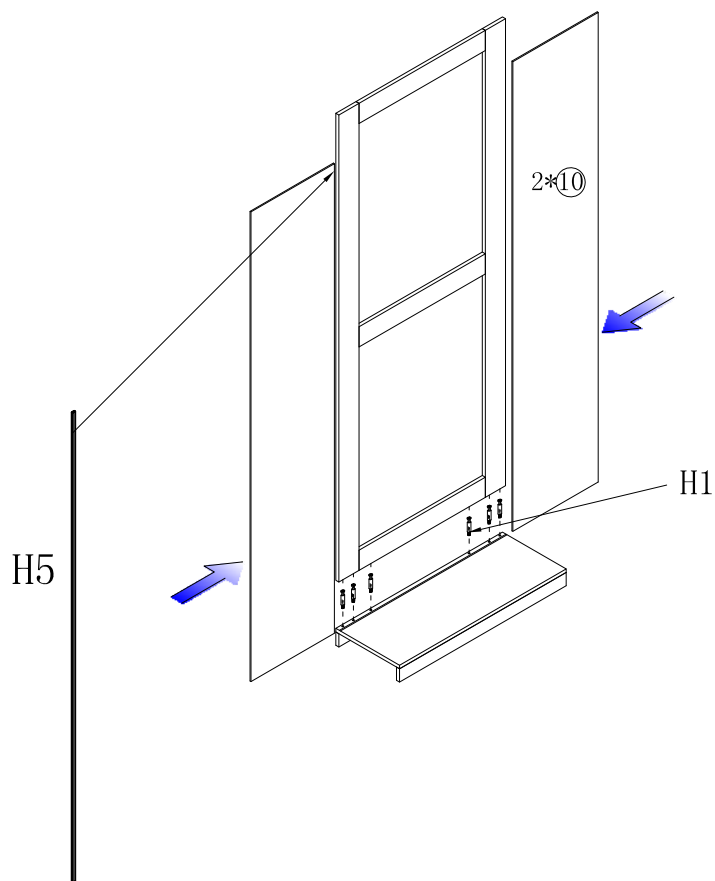
Step 2

You will need:	
12* ϕ 15 (H3) Mili-fix	





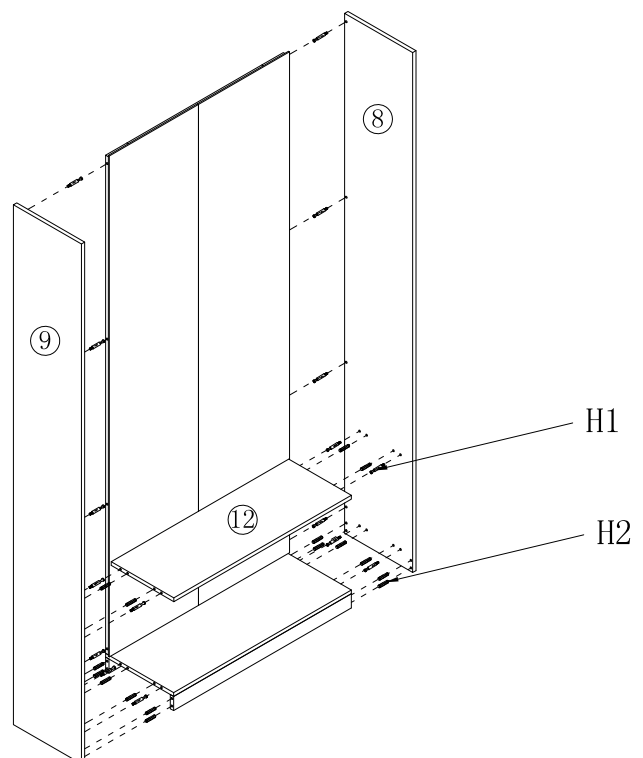
Step 3

You will need:	
6* ϕ 15 (H1) Mili-fix	
1*L=2100 (H5) Rubber strip	





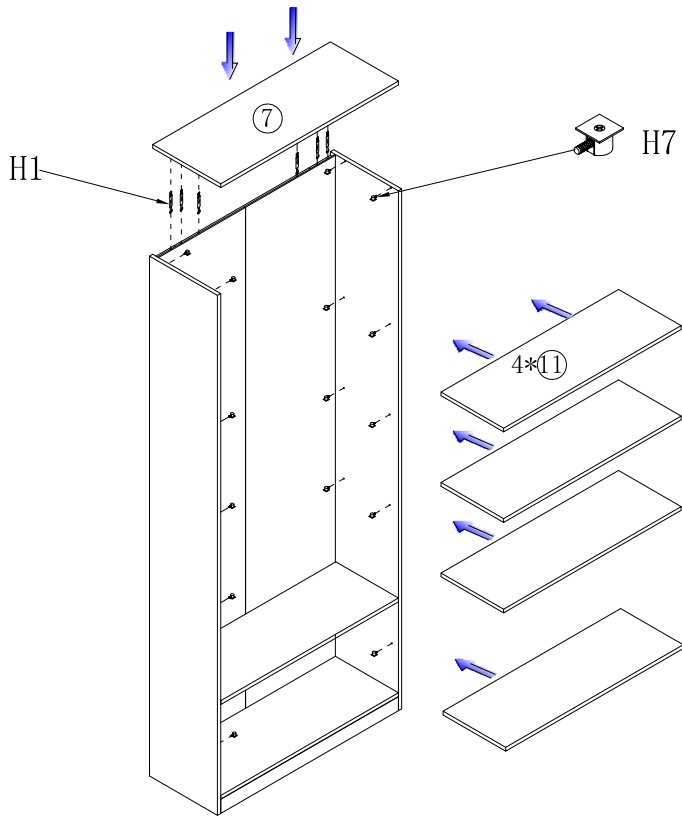
Step 4

You will need:	
16* ϕ 15 (H1) Mili-fix	
16* (H2) Wood	


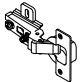




Step 5

You will need:	
6* ϕ 15 (H1) Mili-fix	
20* ϕ 18 (H7) Supporter	



Step 6

You will need:	
24*M3.5*15 (H4) Screw	
12 (H6) Hinge	
4*L=120 (H8) Handle	
8*M4*22 (H9) Screw	
8* ϕ 8 (H10) Rubber circle	