

**PLEASE FOLLOW UP WITH BELOW STEPS WHEN ASSEMBLE THE BED.**


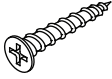






Step 1– Assemble the wings onto bedhead.

Step 2 – Assemble the side rails to bed head and bed end.

Step 3 – Turn frame onto side panel and screw 4 legs onto the corners.

Step 4 – Assemble middle support rails.

Step 5 – Assemble slats.

<p>Ax24 M8x30mm</p> 	<p>Bx16</p> 	<p>Cx8</p> 	<p>Dx14</p> 	<p>Ex22</p> 	<p>Fx8 M8x35mm</p> 
<p>Gx1</p> 	<p>Hx1</p> 	<p>Ix6 M8x65mm</p> 