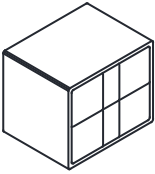

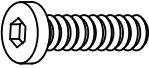




1.x1 	2.x4 
A.x4 M8*50mm 	B.x4 
C.x4 	D.x1 