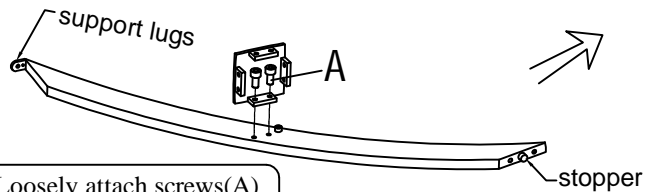
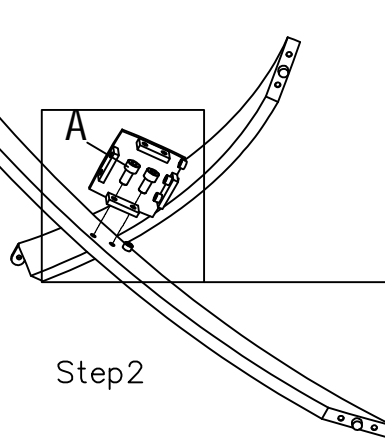


ASSEMBLY INSTRUCTION

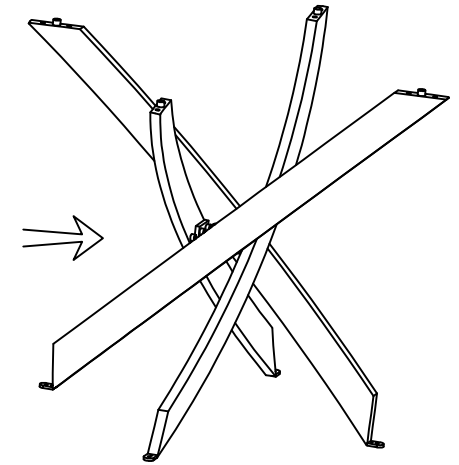
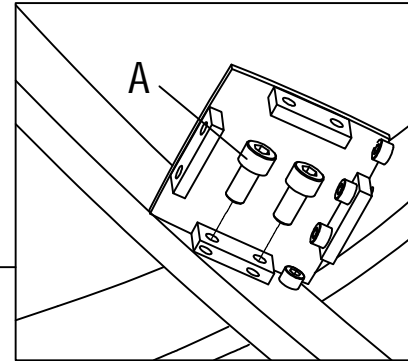


Loosely attach screws(A) to middle metal plate of legs.

Step1

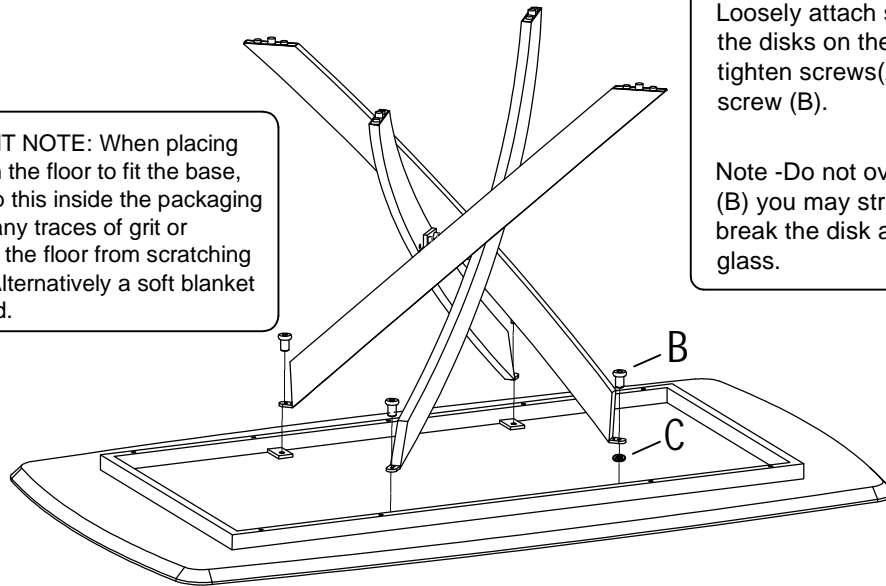


Step2



Step3

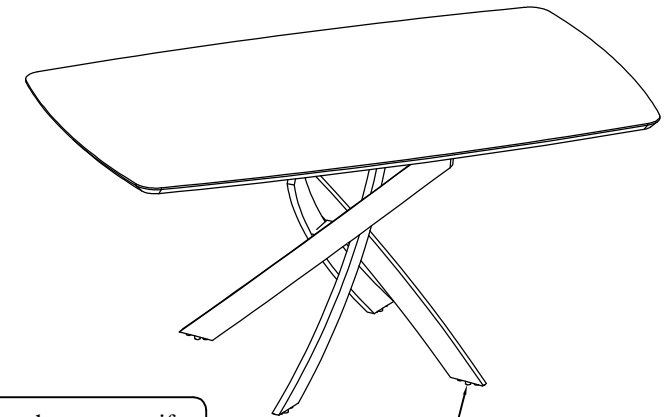
IMPORTANT NOTE: When placing table top on the floor to fit the base, please keep this inside the packaging to prevent any traces of grit or particles on the floor from scratching the glass. Alternatively a soft blanket can be used.



Step4

Loosely attach screws(B) to the disks on the glass, and then tighten screws(A). Finally, tighten screw (B).

Note -Do not over tighten screws (B) you may strip the thread or break the disk away from the glass.








Adjust the stoppers if the table is not stable

Stopper adjustable

Step5

FITTING PARTS LIST

A	B	C	D	E
 M8x16	 M8x12	 PVC		
8 PCS	4 PCS	4 PCS	1 PC	1 PC