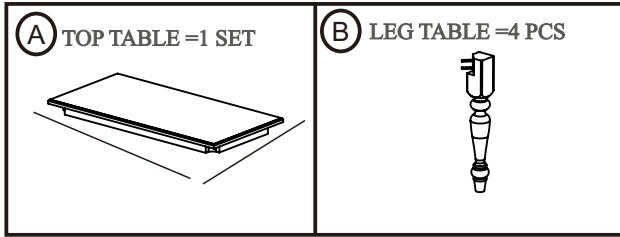
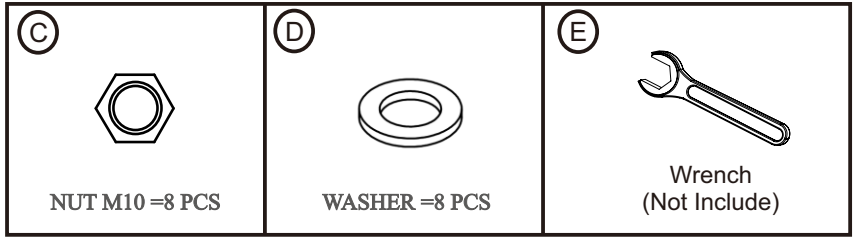


# PROVANCE DINING TABLE PG10 Assembly Instruction

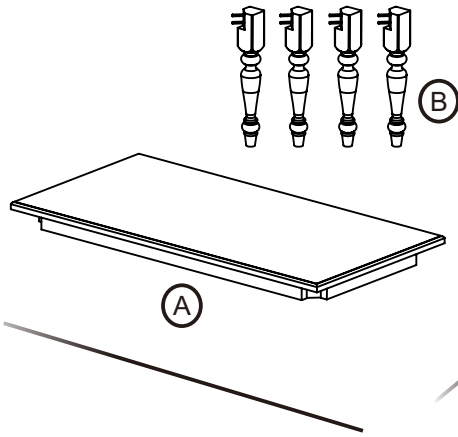
## List of Part



## List of Hardware

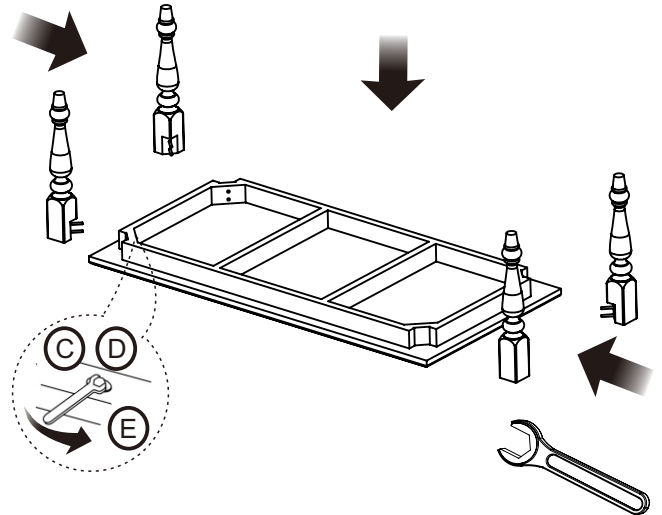


### Step 1



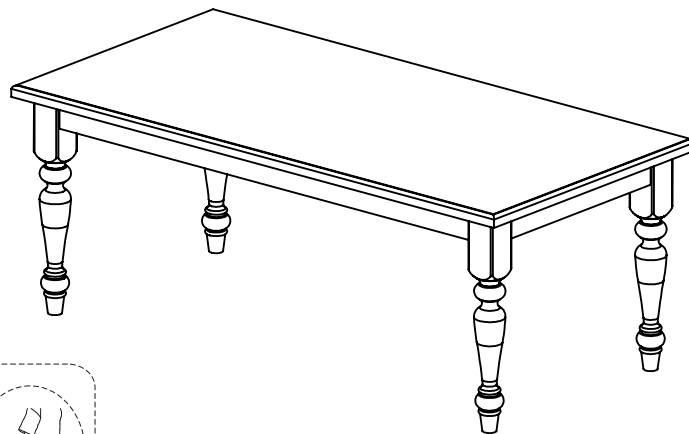
Please make sure to place a pad under the table top to prevent damage. place the table top face down.

### Step 2

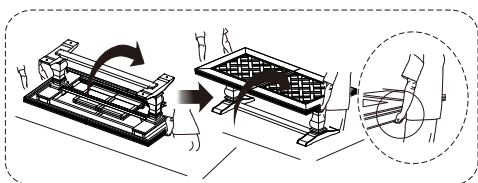


ASSEMBLY WITH WRANCH KEY to TIGHTEN THE NUT

### Step 3



WATCH THE VIDEO !!!



Turn the table on apron the top frame