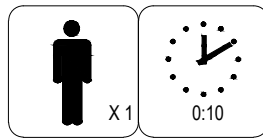
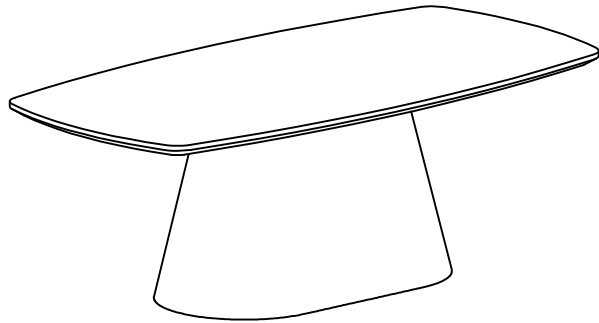


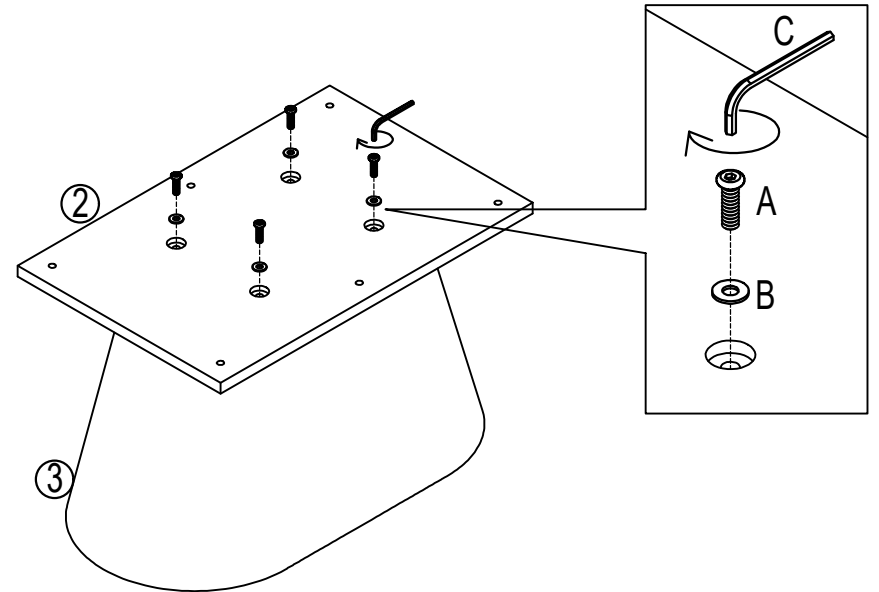
ASSEMBLY INSTRUCTIONS

DINING TABLE MODEL#: UCT23039



 ① X 1	 ② X 1	 ③ X 1
 A X 10	 B X 10	 C X 1

1



2

