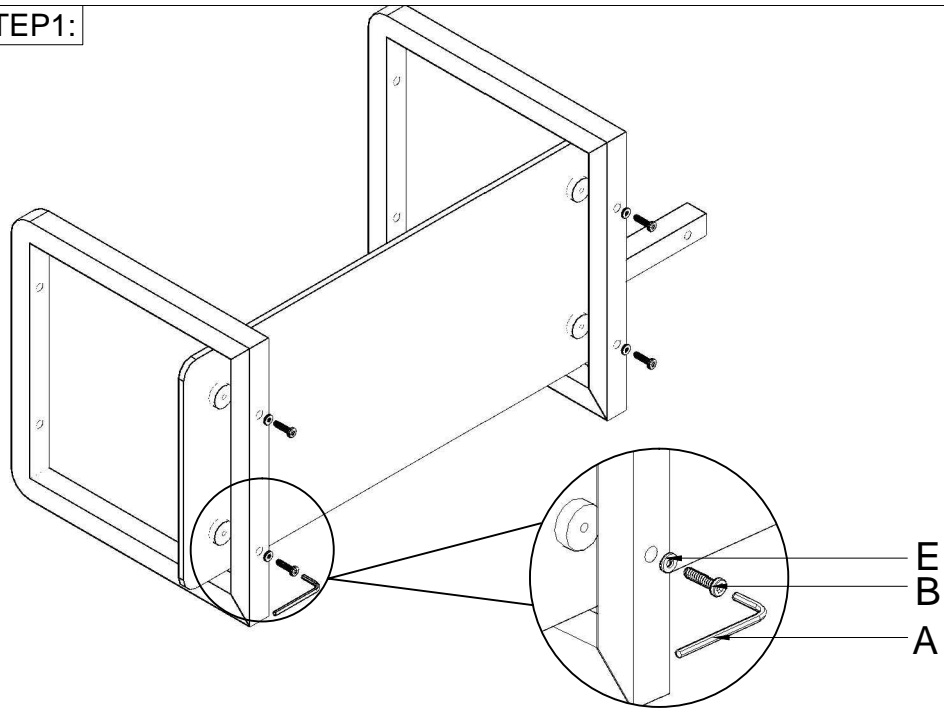
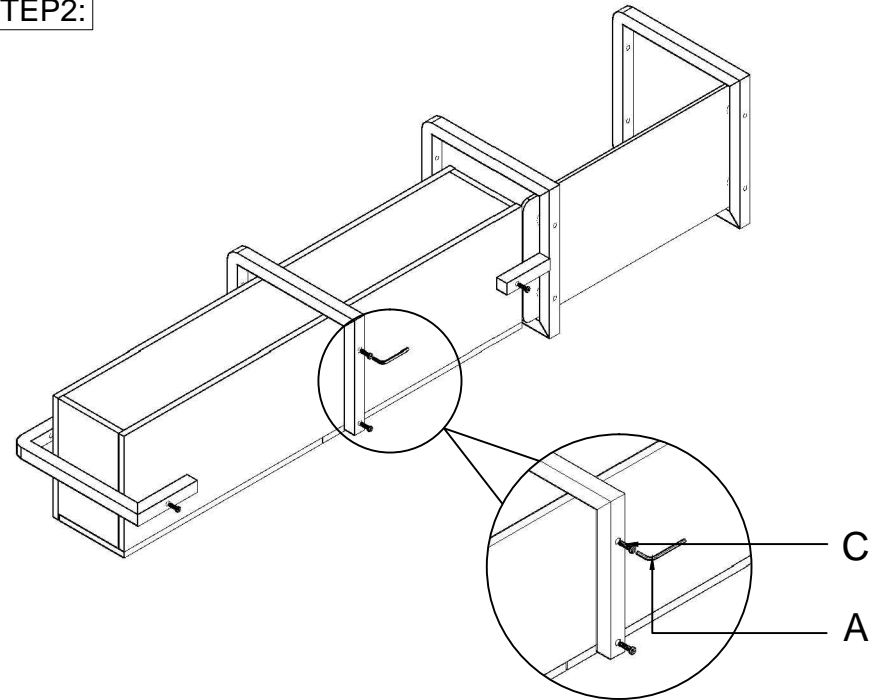


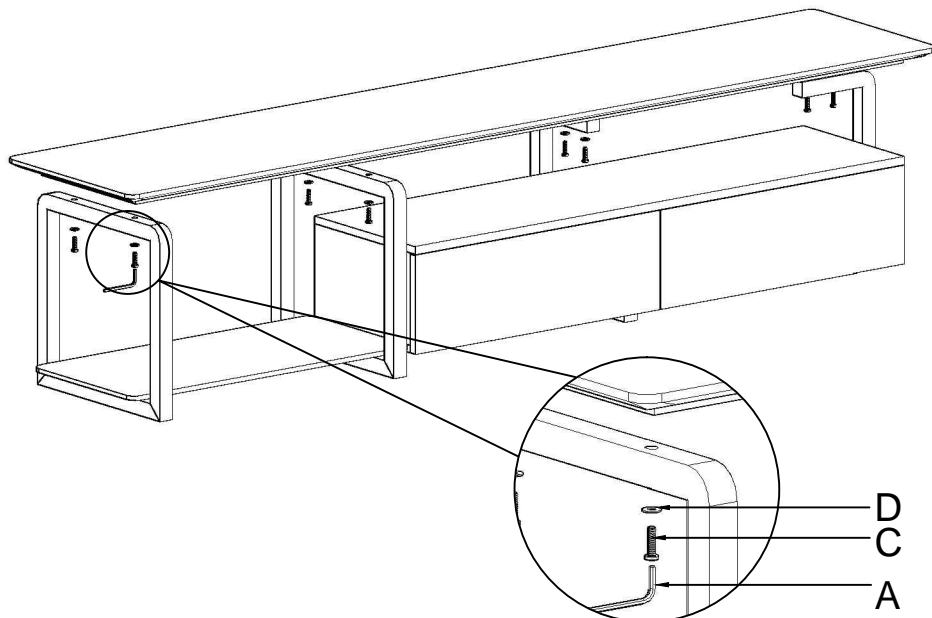
STEP1:



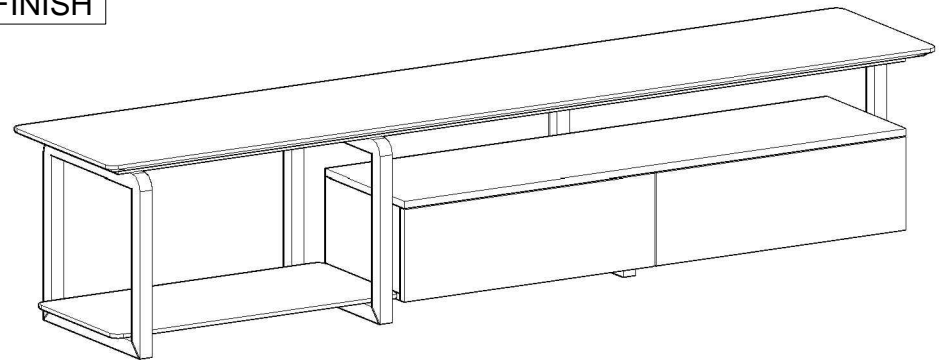
STEP2:



STEP3:



FINISH



BY **de**zign.

D2257L

ITEM	DESCRIPTION	SKETCH	GAUGE	Q'TY
A	allen key		4mm	1
B	allen screw		M6*35	4
C	allen screw		M6*45	12
D	meson		φ6*16*1.2	8
E	meson		φ6*12*1.5	4