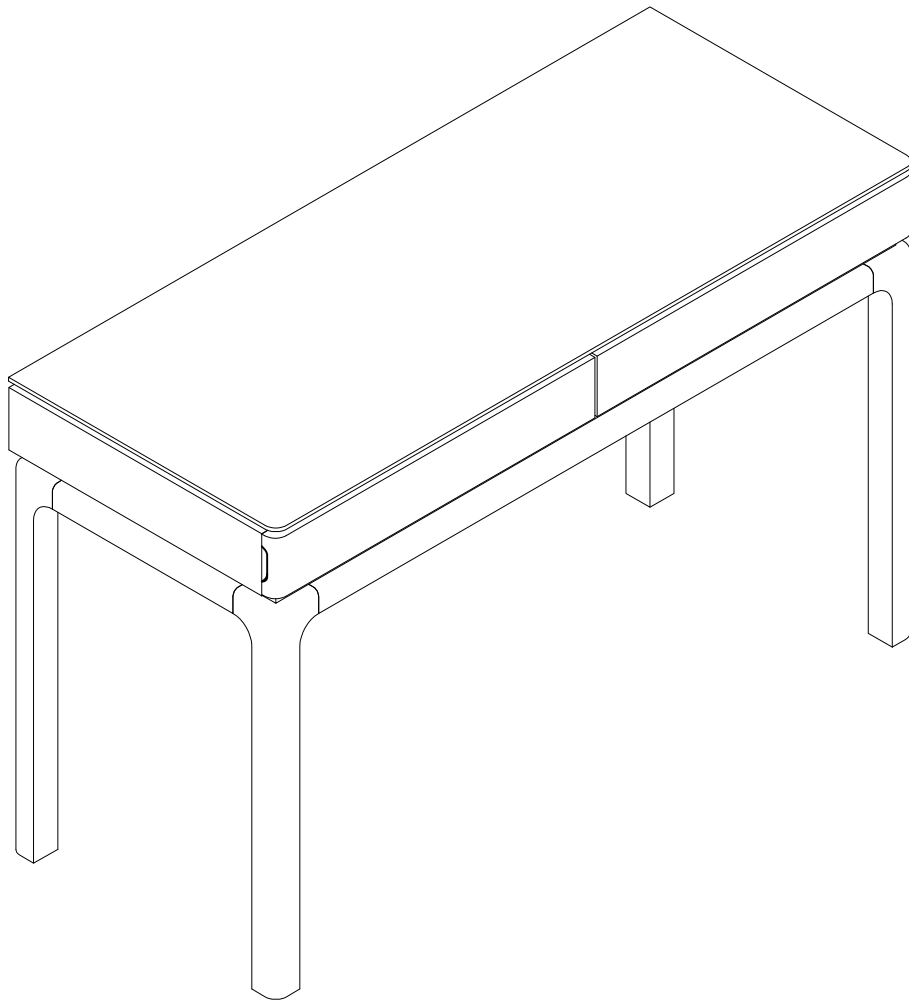
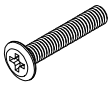
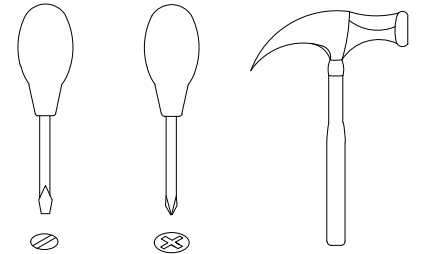
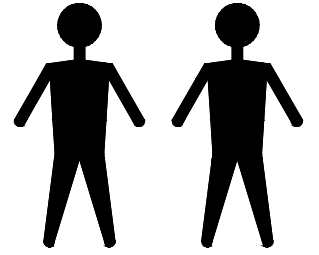


# CP2303DK-HA



# # CP2303DK-HA



A x12  
Spec: M6\*L45



B x12  
Spec:  $\phi 14 * \phi 8$



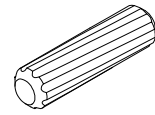
C x6  
Spec: M8\*L95



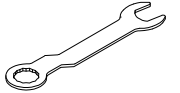
D x6  
Spec:



E x6  
Spec: M8



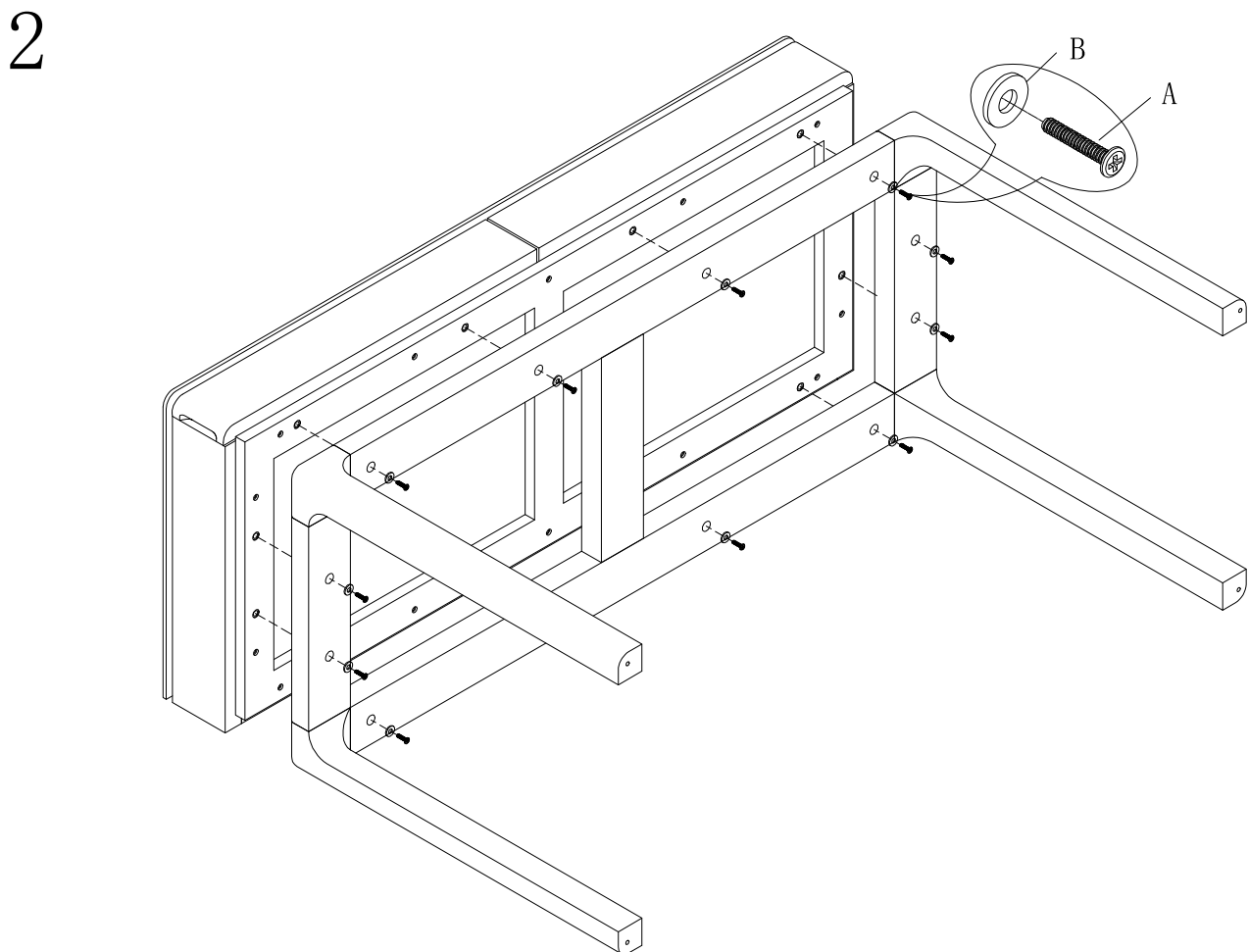
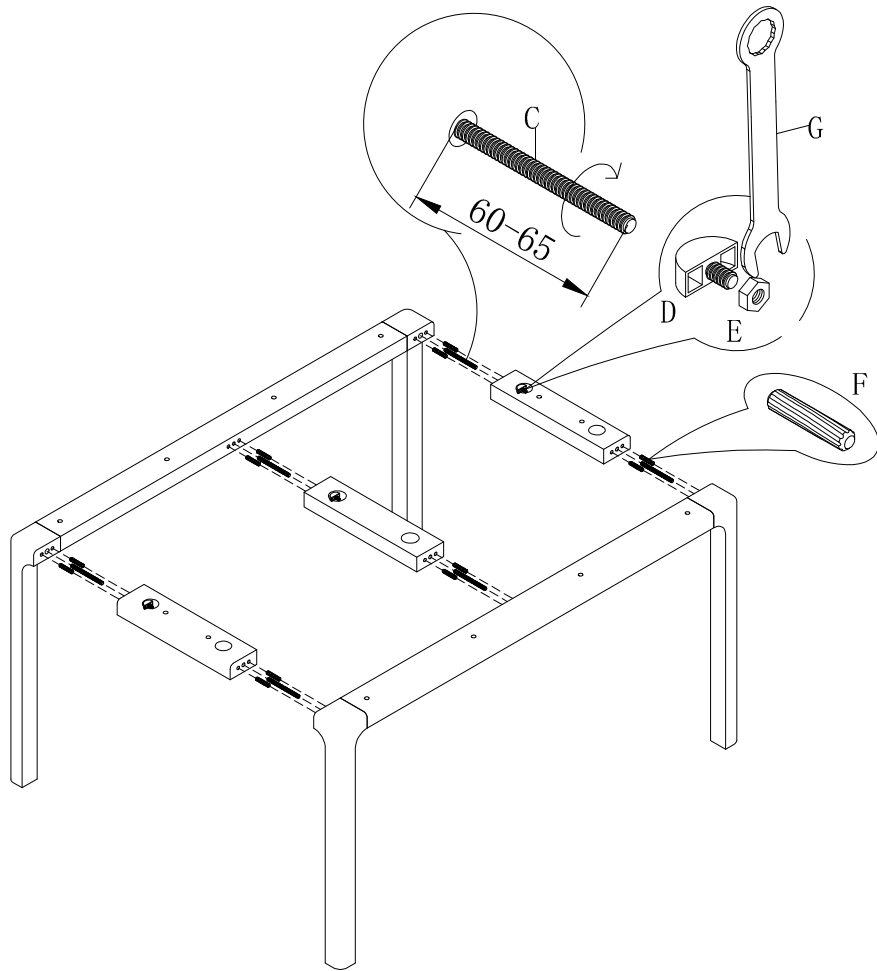
F x12  
Spec:  $\phi 12 * 50$

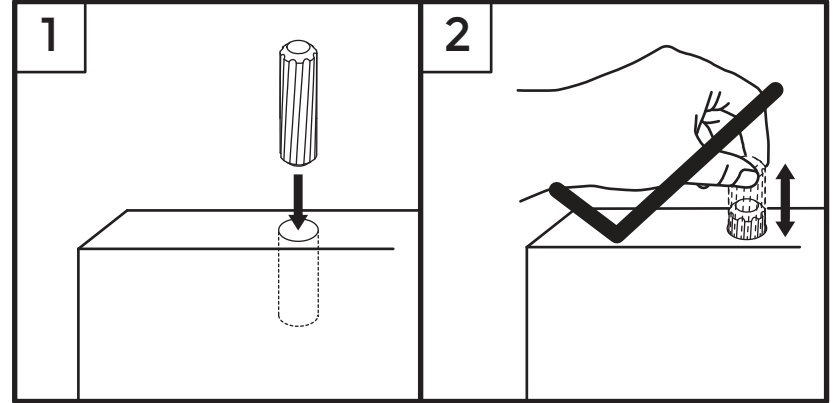
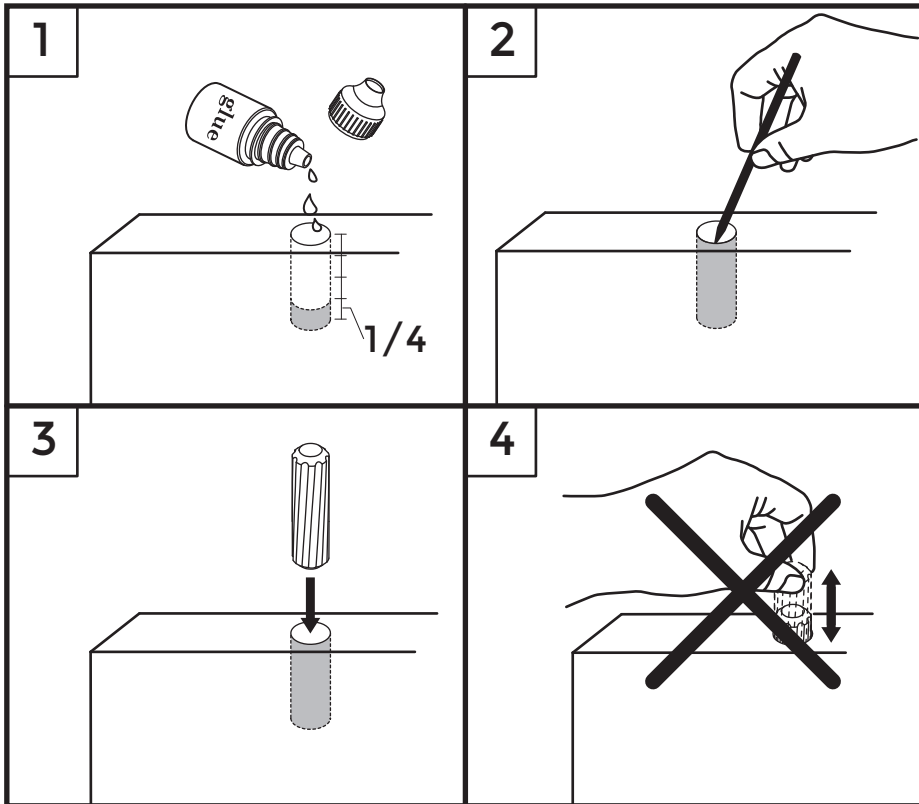


G x1  
Spec: 14#



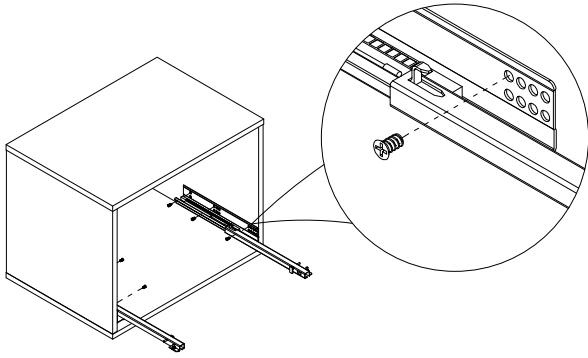
H x1  
Spec: 10g



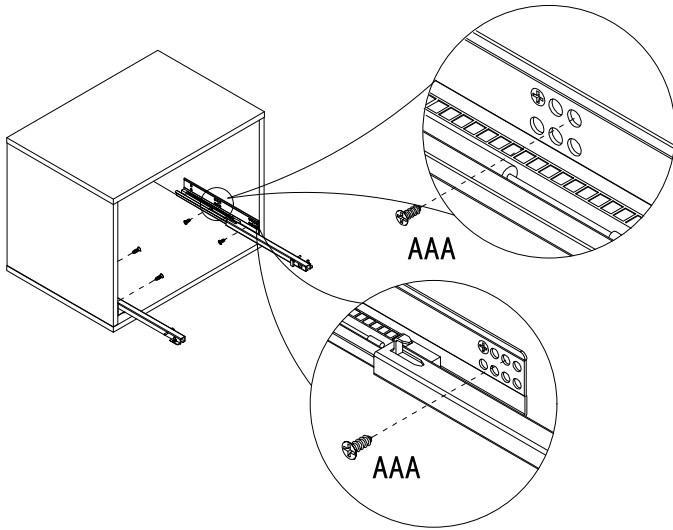


# Drawer assembly

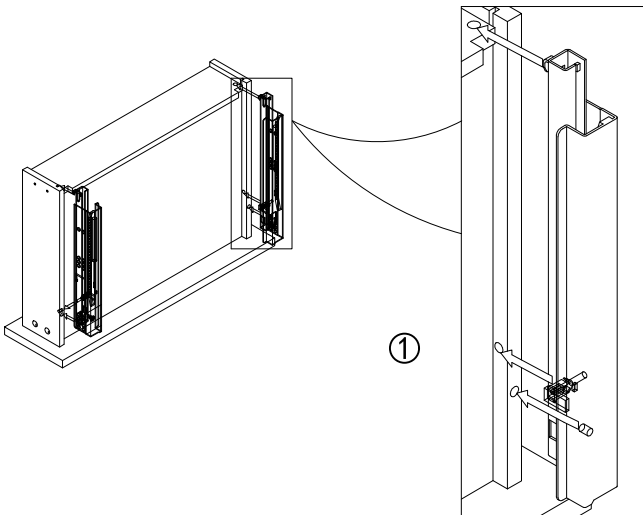
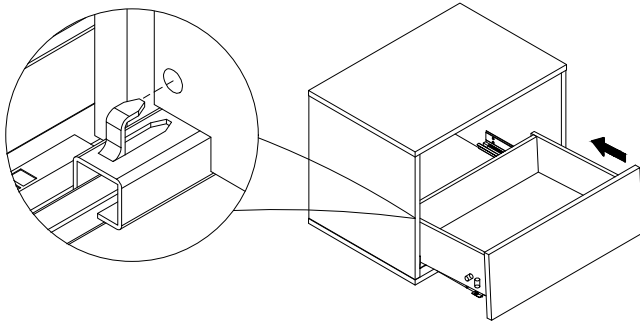
1



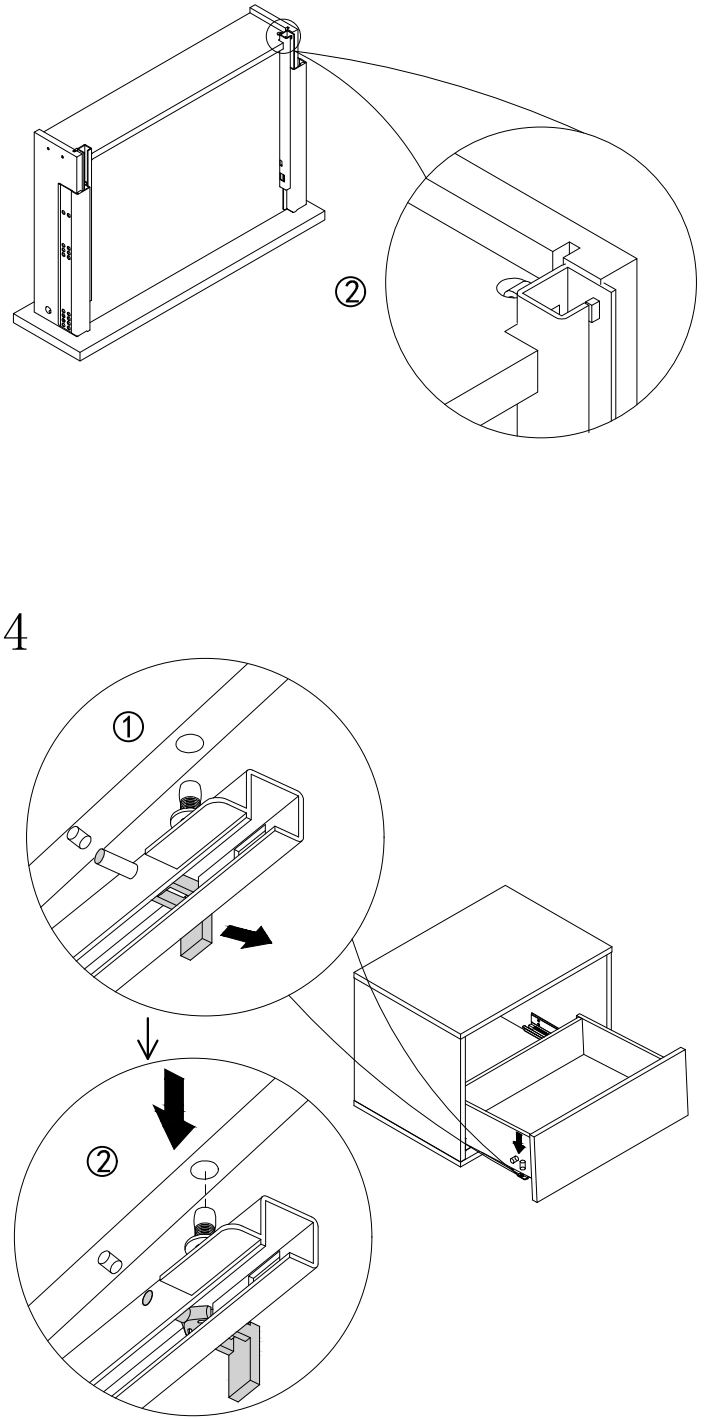
2



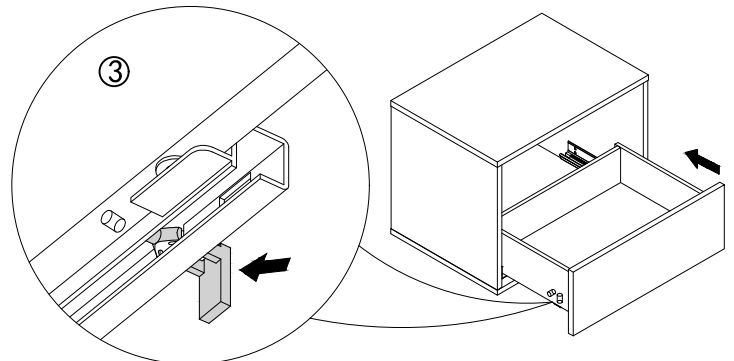
3



4

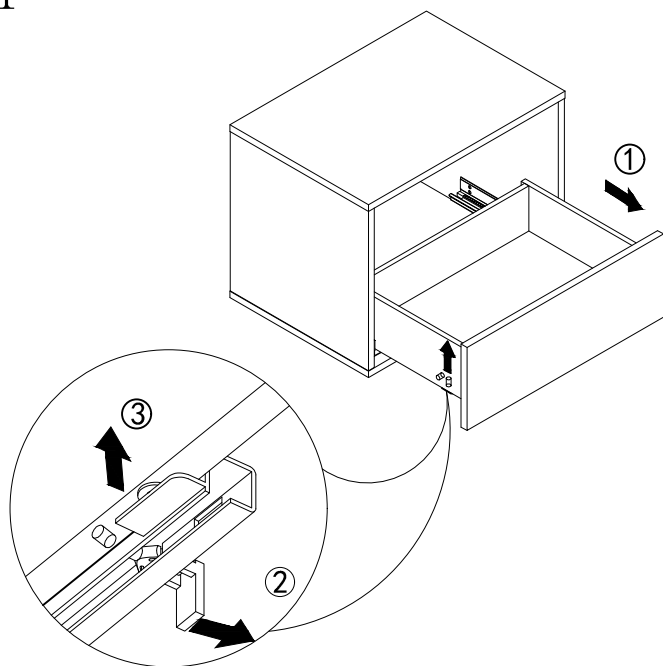


5

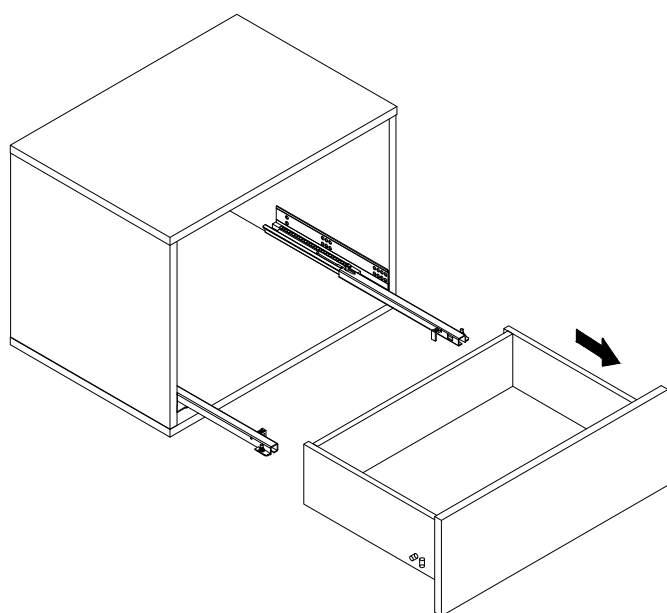


# Drawer Renival

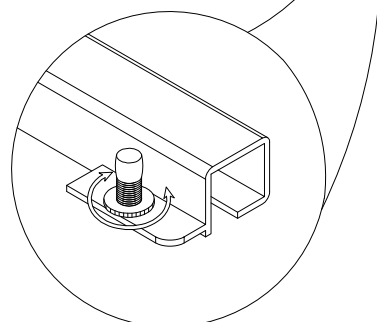
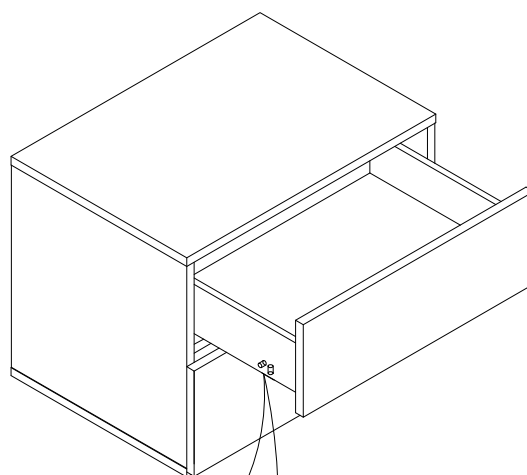
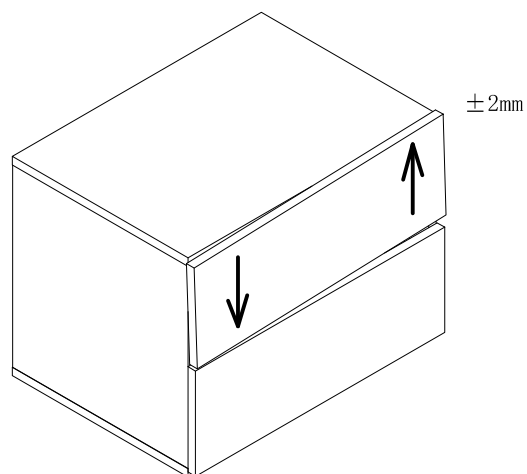
1

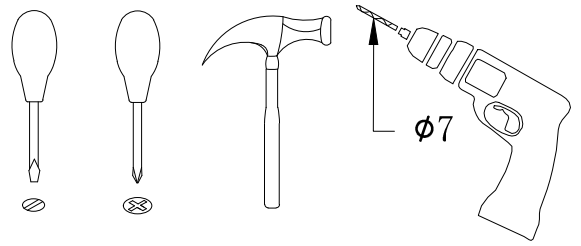




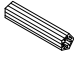

2



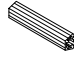



# Adjustable Method





-   
 AA1 x1  
 Spec: L215\*W25
-   
 AA2 x1  
 Spec:  $\phi 3.8 * L16$
-   
 AA3 x1  
 Spec:  $\phi 7 * L26$
-   
 AA4 x1  
 Spec:  $\phi 3.8 * L32$

-   
 BB1 x2  
 Spec: L215\*W25
-   
 BB2 x2  
 Spec:  $\phi 3.8 * L16$
-   
 BB3 x2  
 Spec:  $\phi 7 * L26$
-   
 BB4 x2  
 Spec:  $\phi 3.8 * L32$

