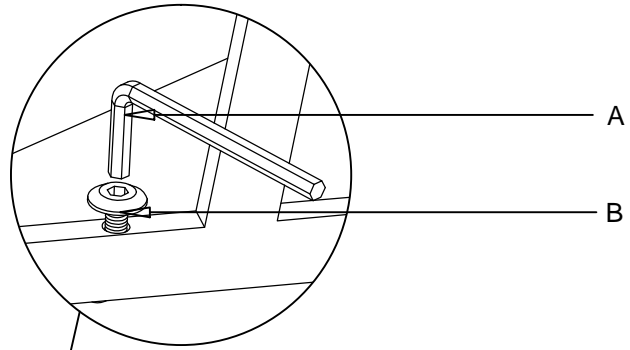
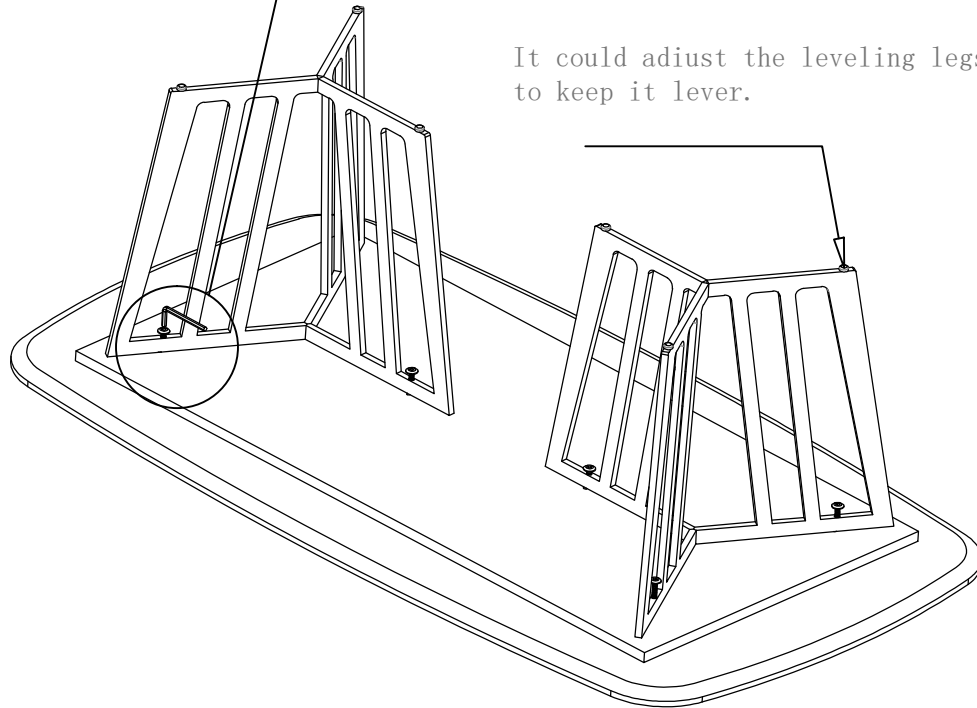


STEP: 1

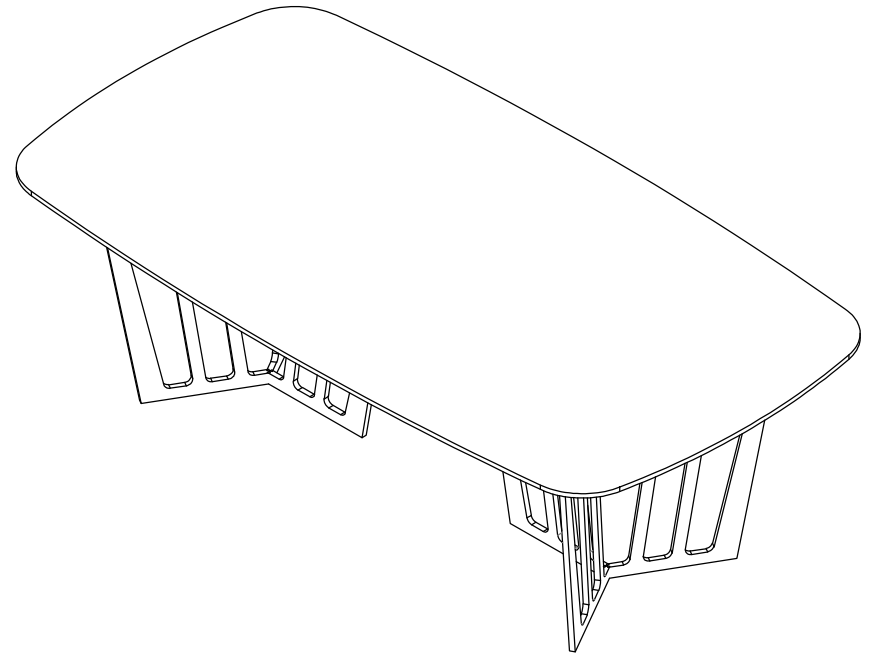





It could adjust the leveling legs to keep it level.



FINISH

BY **deZign.**



C2506L01				
ITEM	DESCRIPTION	SKETCH	MEAS	QTY
A	allen key		4mm	1
B	allen screw		M6*30	6
C	adjusting foot (SPARE)		Ø12*5*M6*11	3