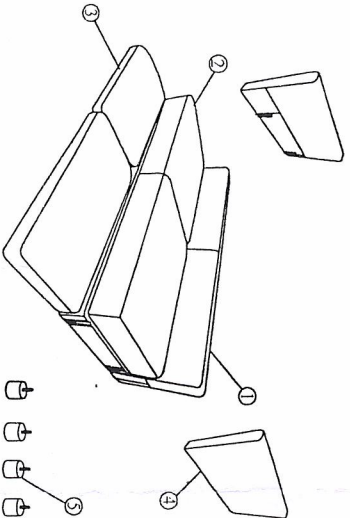
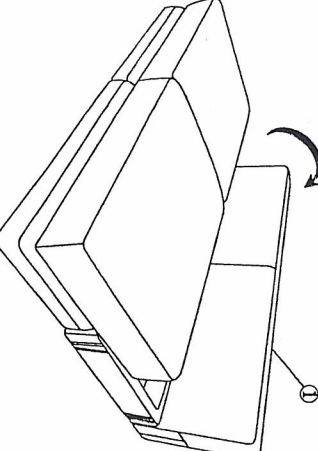
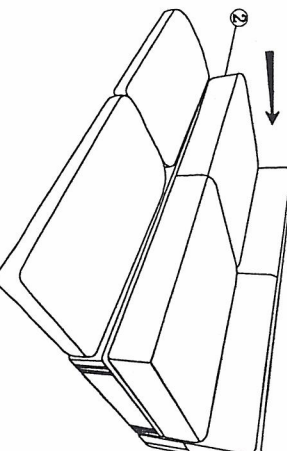
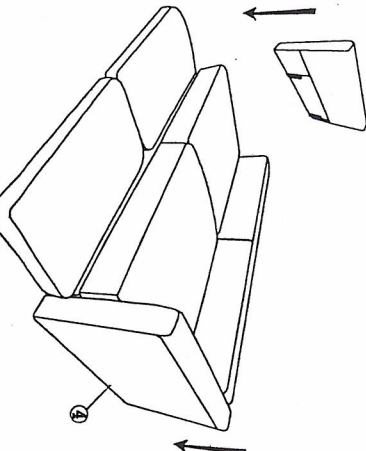


# ASSEMBLY INSTRUCTION

MODEL:MB-1901

Before you begin, Please follow Assembly Instruction carefully. Then follow them step by step

HARDWARE LIST	NO.	QTY
	①	1Pcs
	②	1Pcs
	③	2Pcs
	④	2Pcs
	⑤	4Pcs

<p>①</p> 	<p>②</p> 
<p>③</p> 	<p>④</p> 

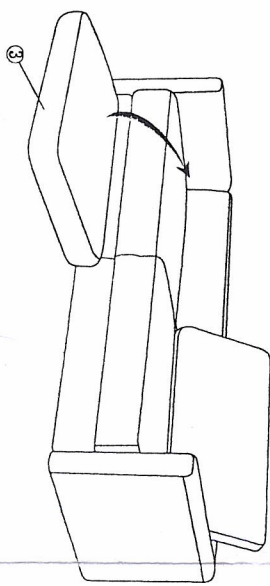
# ASSEMBLY INSTRUCTION

MODEL: MB-1901

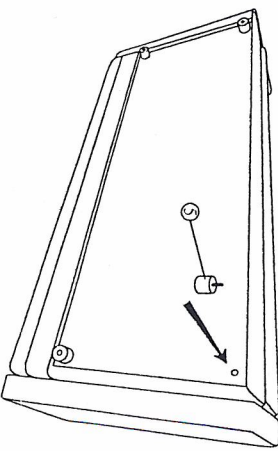
Before you begin, Please follow Assembly Instruction carefully. Then follow them step by step

HARDWARE LIST	
NO.	QTY
①	1Pcs
②	1Pcs
③	2Pcs
④	2Pcs
⑤	4Pcs

⑤



⑥



⑦

