






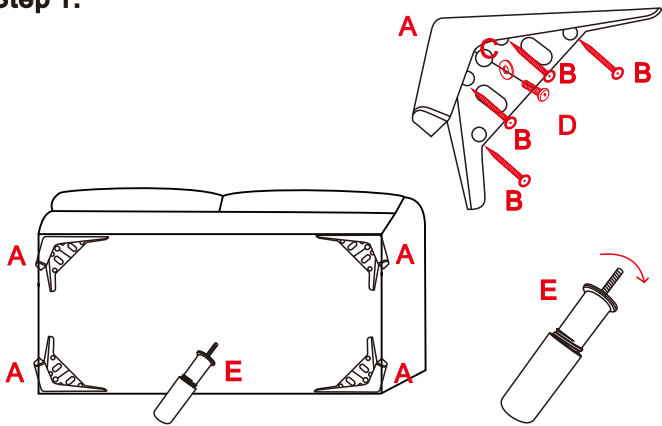
THE ASSEMBLY INSTRUCTION

Before you begin, please follow below assembly instruction step by step.

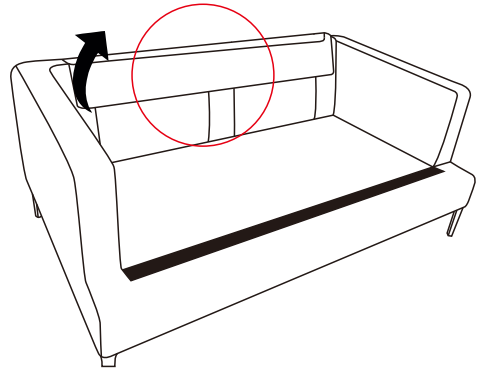
Model:SF-386

Accessories					
NO.	A	B	C	D	E
Shape					
Nnumber	8x	32x	8x	8x	2x

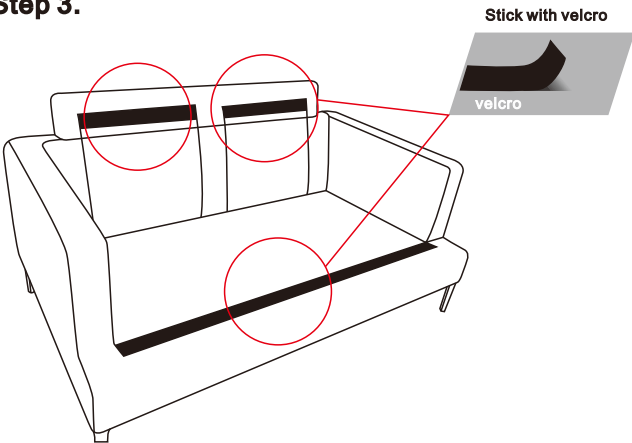
Step 1.



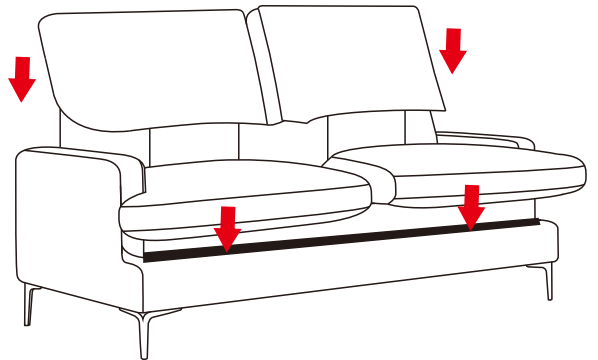
Step 2.



Step 3.



Step 4.



Step 5.

