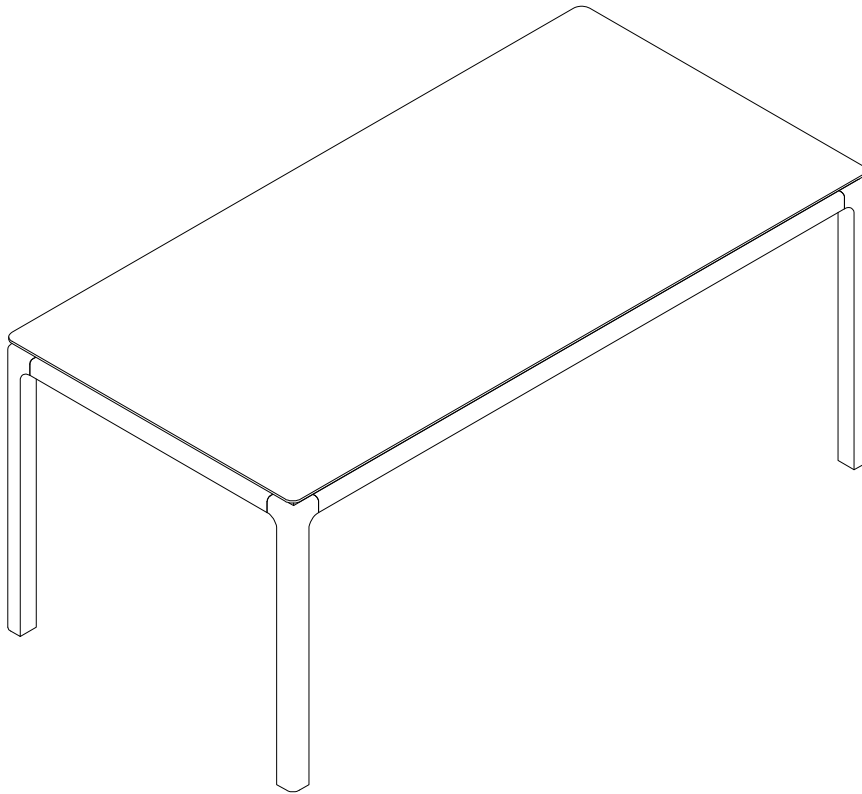
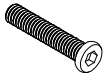
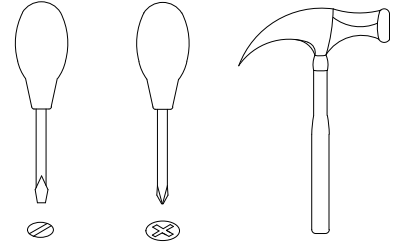
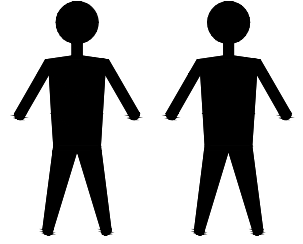


CP2303D



CP2303D



A x6
Spec: 5/16*L60



B x22
Spec: $\phi 18 * \phi 8.2$



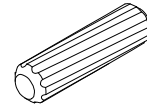
C x4
Spec: M8*L95



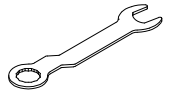
D x4
Spec:



E x4
Spec: M8



F x8
Spec: $\phi 12 * 50$



G x1
Spec: 14#



H x1
Spec: 5#



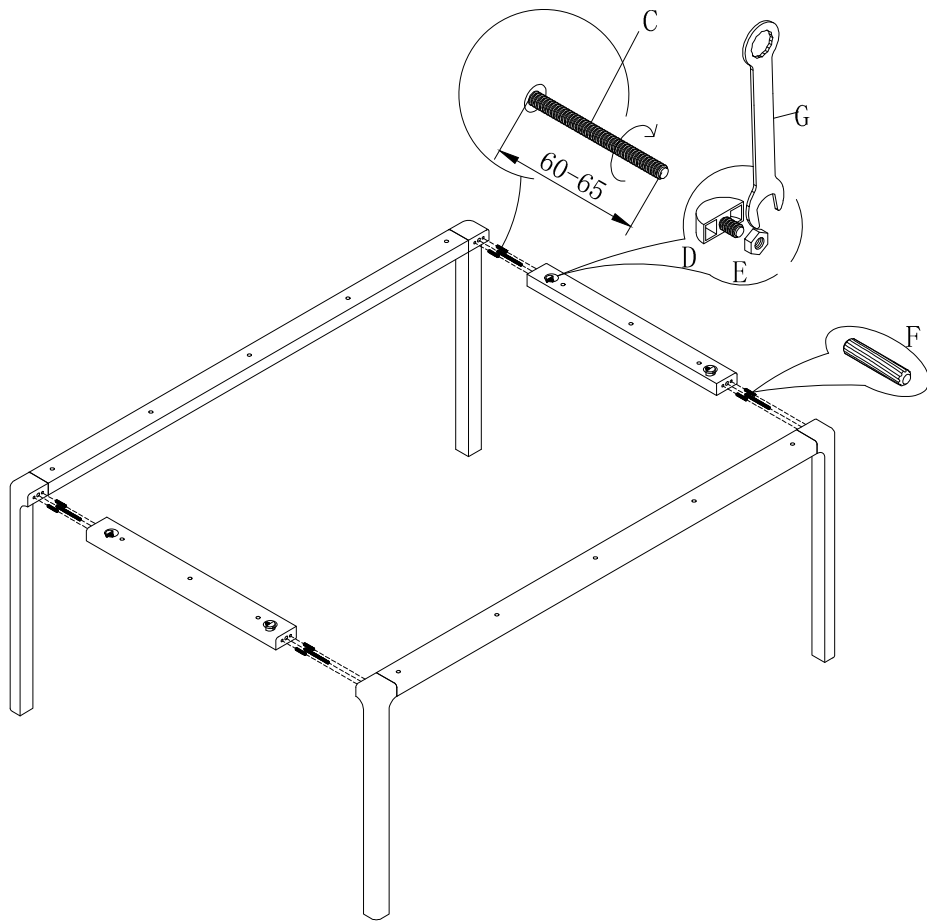
I x16
Spec: 5/16*L45



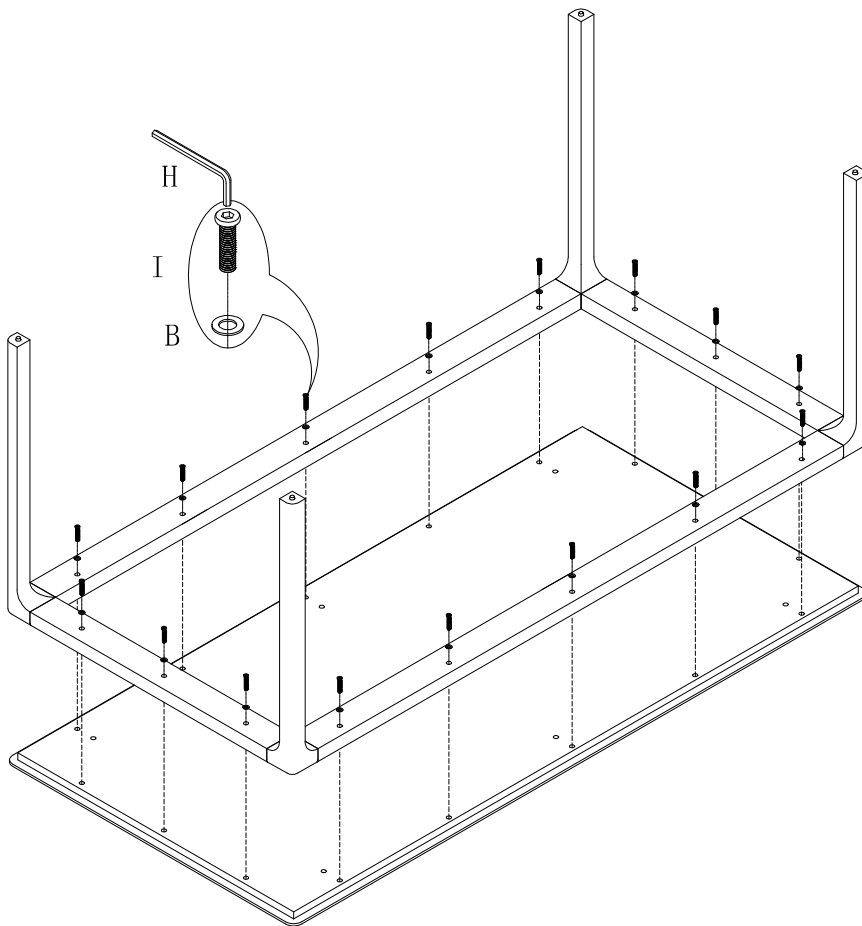
J x20
Spec: $\phi 3.8 * L38$

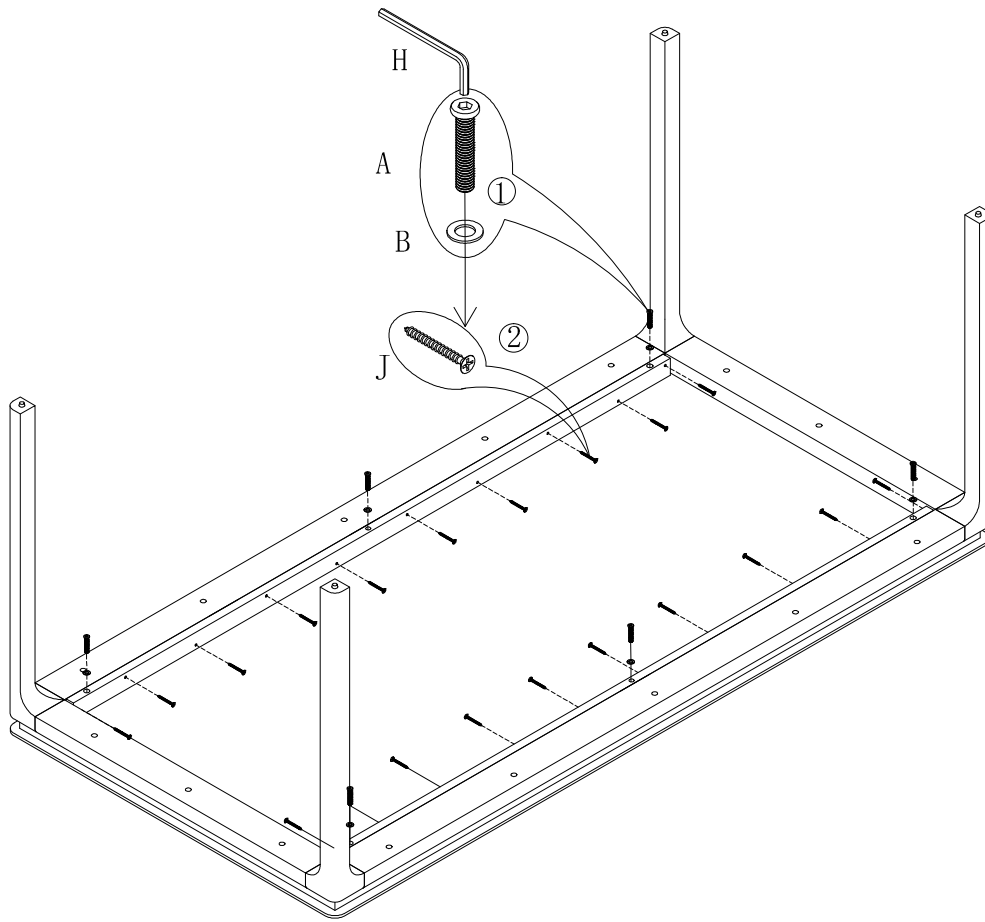


K x1
Spec: 10g



2





3

