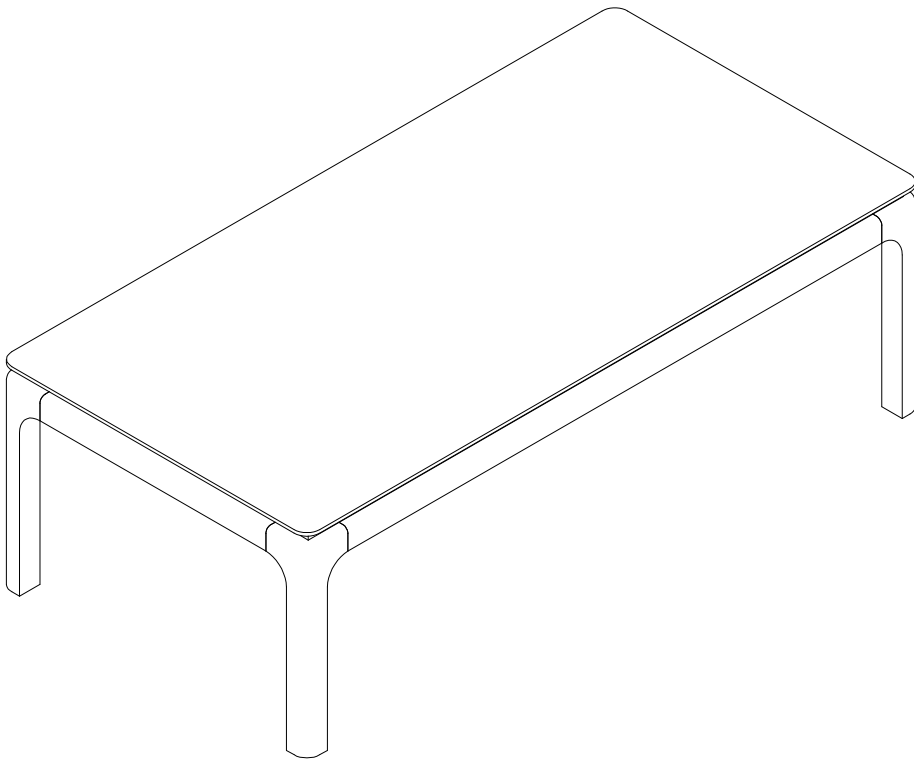
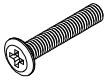
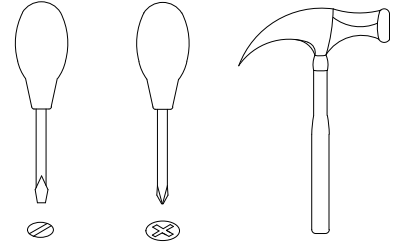
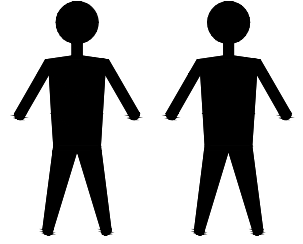


CP2303G



CP2303G



A x14
Spec: M6*L45



B x14
Spec: $\phi 14 * \phi 8$



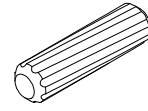
C x6
Spec: M8*L95



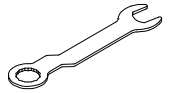
D x6
Spec:



E x6
Spec: M8



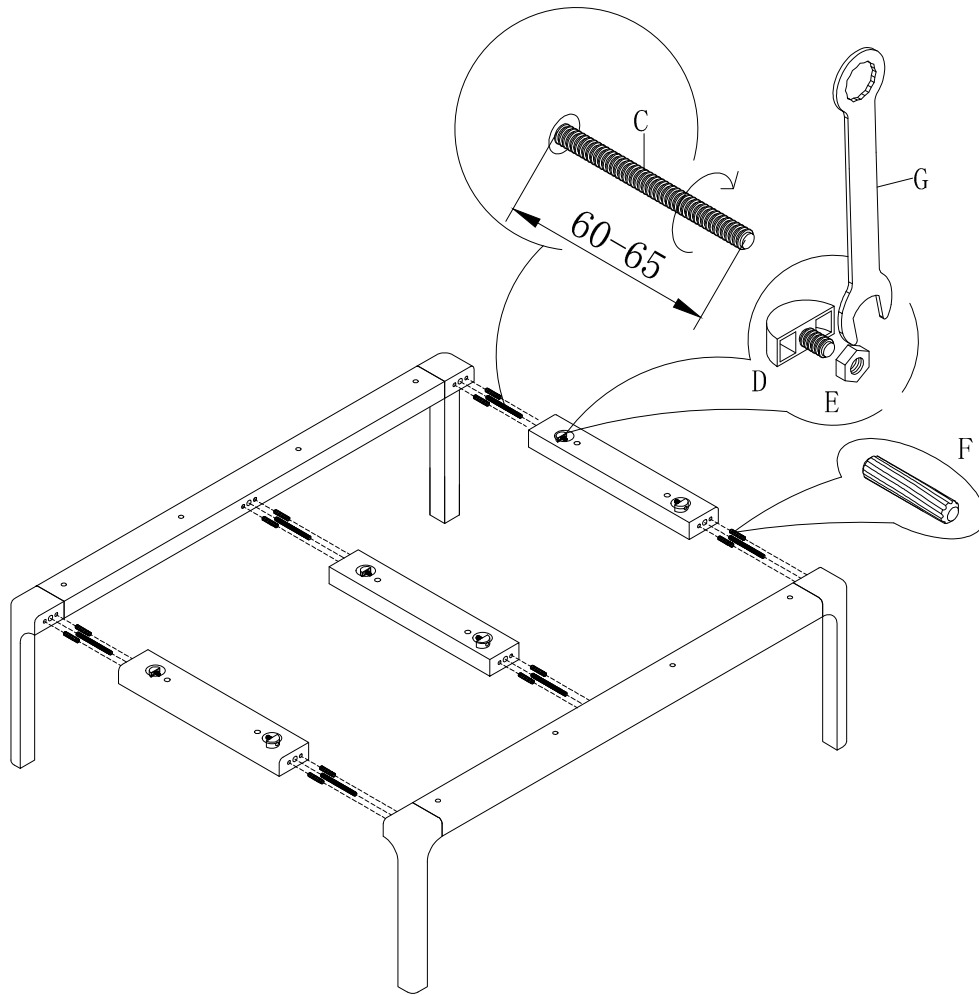
F x12
Spec: $\phi 12 * 50$



G x1
Spec: 14#



H x1
Spec: 10g



2

