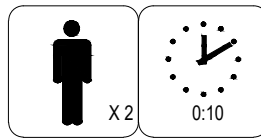
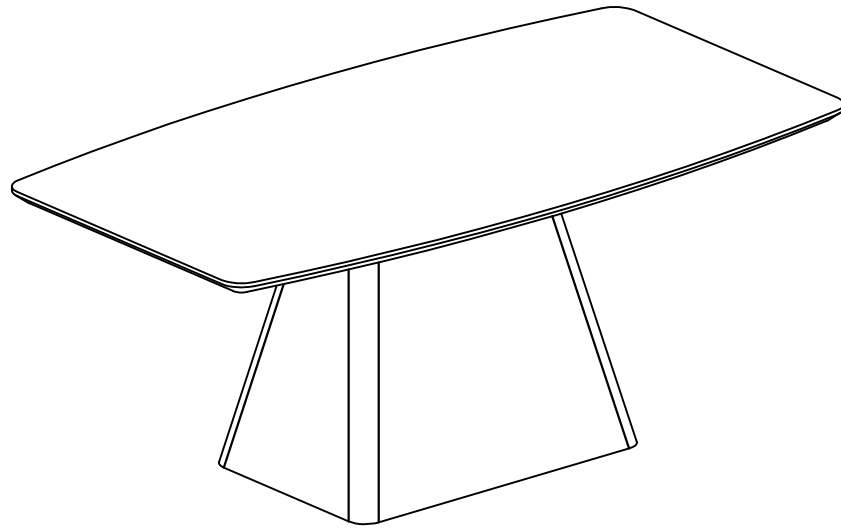
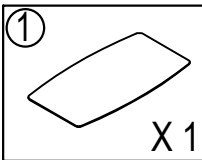
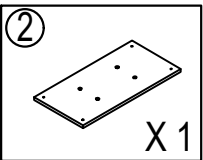
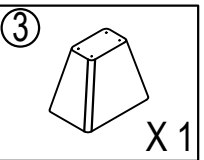
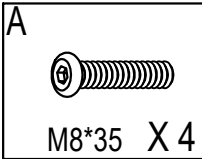
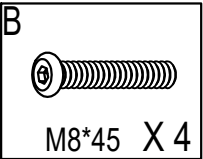
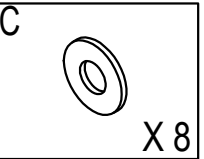
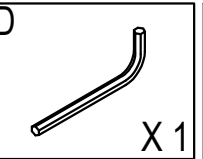
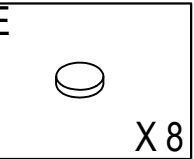


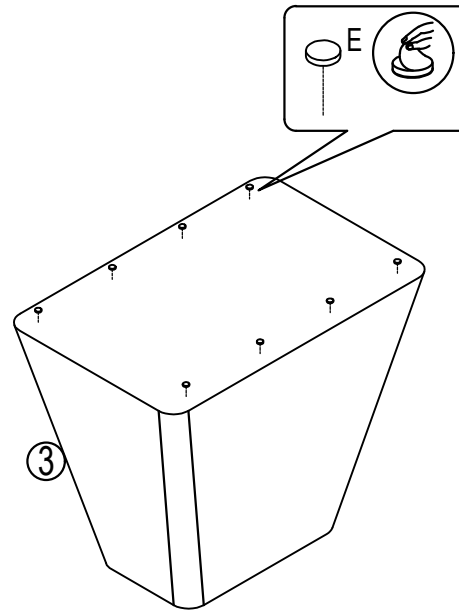
ASSEMBLY INSTRUCTIONS

DINING TABLE MODEL#: ADTL2302

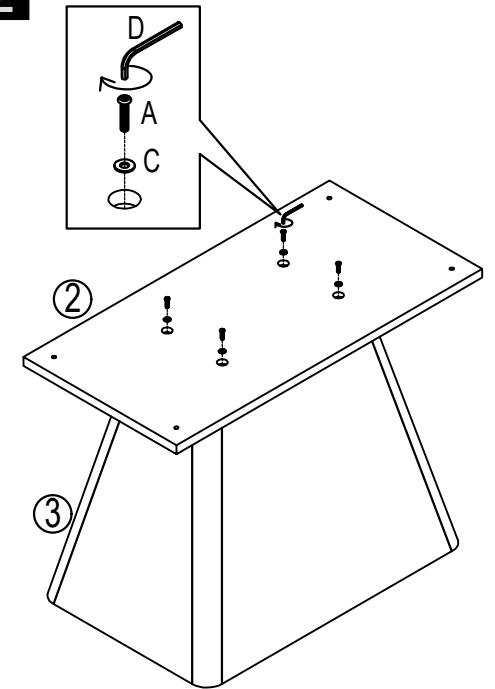


| | | | | |
|--|---|---|---|--|
|  ① X 1 |  ② X 1 |  ③ X 1 | | |
|  A M8*35 X 4 |  B M8*45 X 4 |  C X 8 |  D X 1 |  E X 8 |

1



2



3

