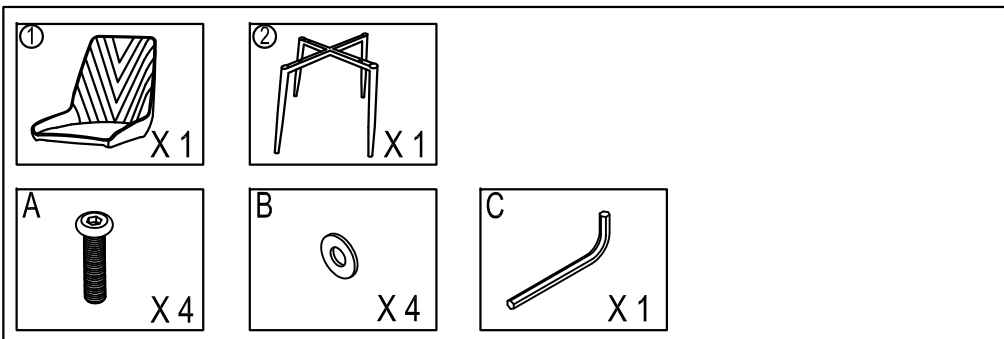
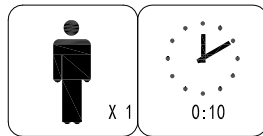
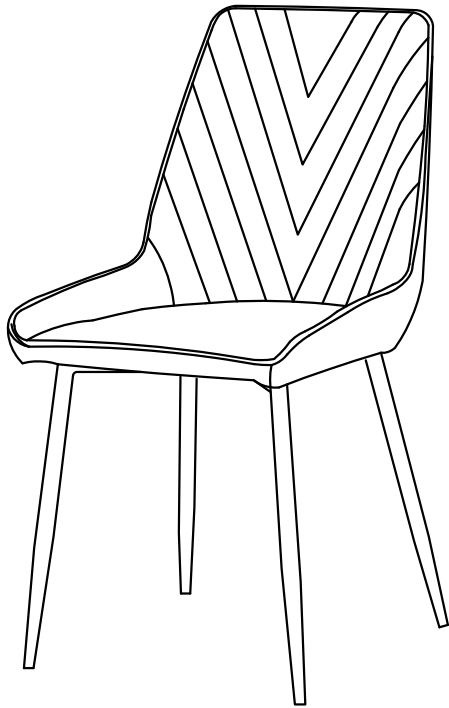


ASSEMBLY INSTRUCTIONS

DINING CHAIR MODEL# : UDC9046



1

