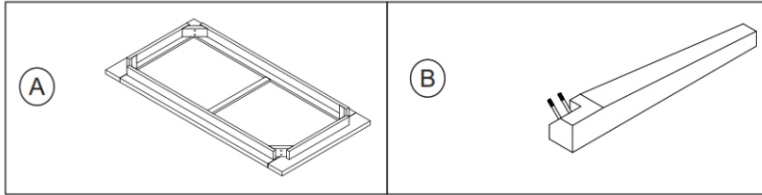
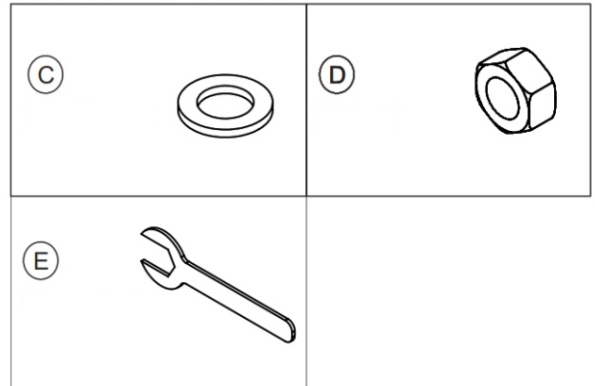


# NEW IRON BRIDGE FIXED DINING TABLE IBD20 Assembly Instruction

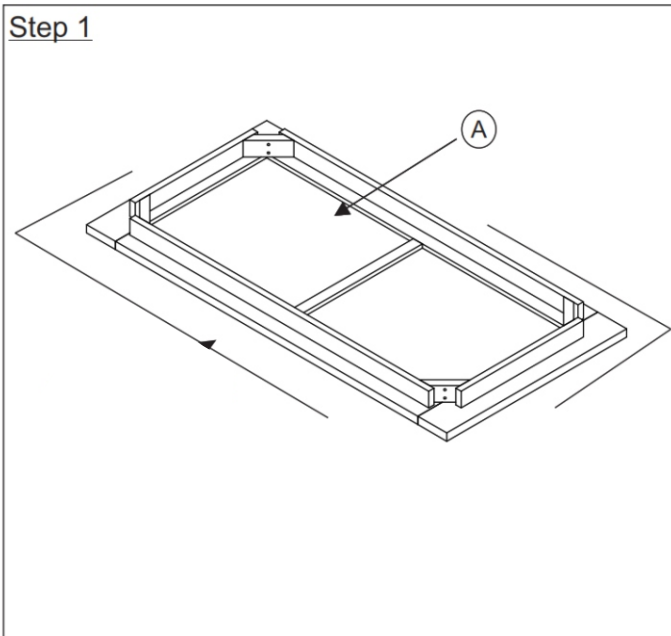
## LIST OF PART



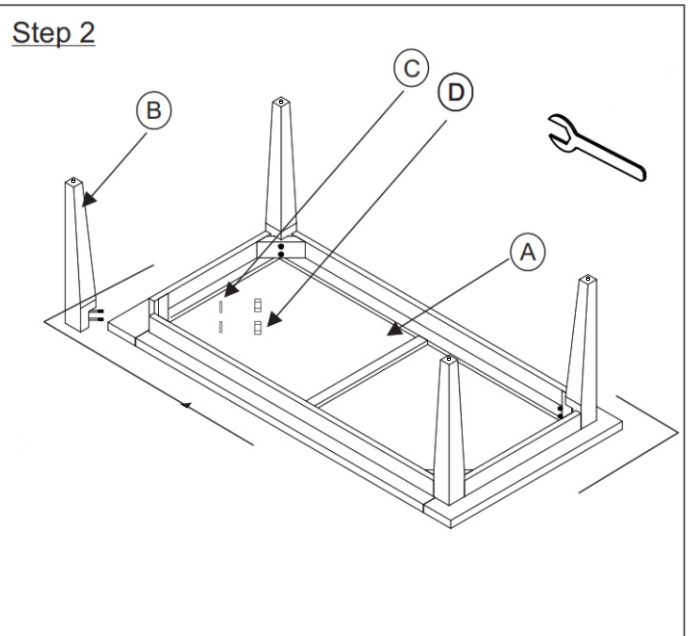
## LIST OF HARDWARE



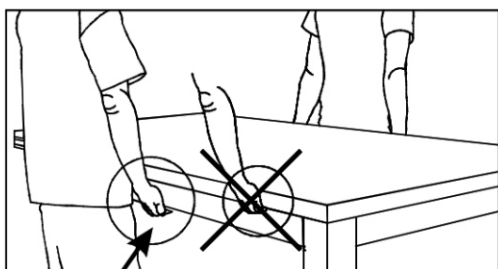
### Step 1



### Step 2



### Step 3



**Warning: must lift here**

