

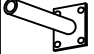
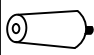






ASSEMBLY INSTRUCTION

MODEL:MB-24128-3S

HARDWARE LIST

NO	QTY	SIZE	ITEM
(A)	1Pc		
(B)	2Pcs		
(C)	2Pcs		
(D)	1Pc		
(E)	14Pcs	6*18mm	
(F)	14Pcs	6*30mm	
(G)	1Pc	M4	
(H)	2Pcs		
(I)	1Pc		