







VERSION: 482T

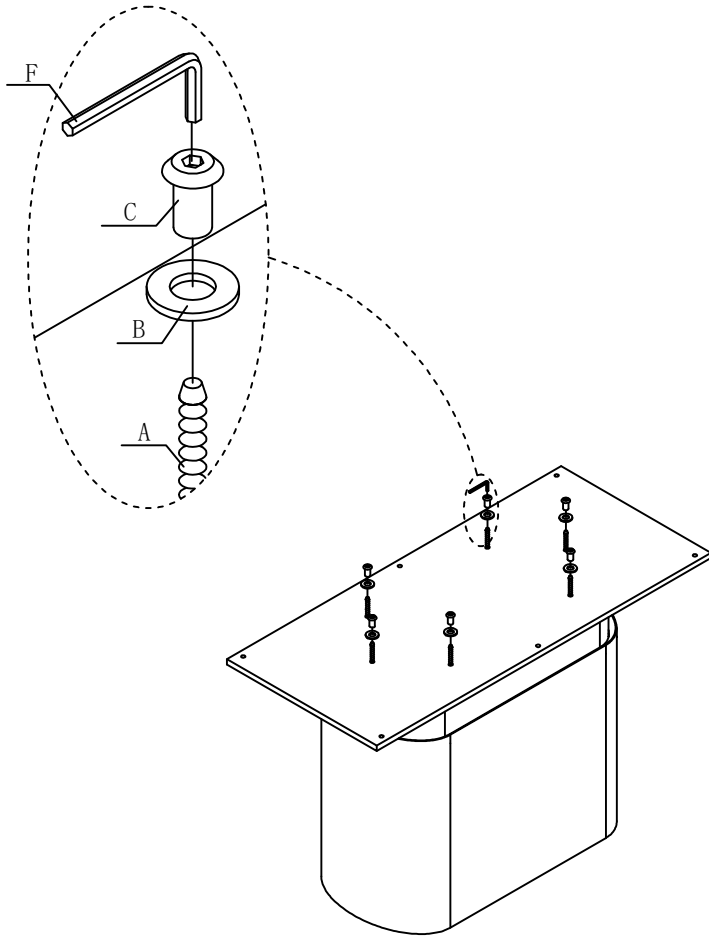
ASSEMBLY INSTRUCTION

SETTING FITTINGS

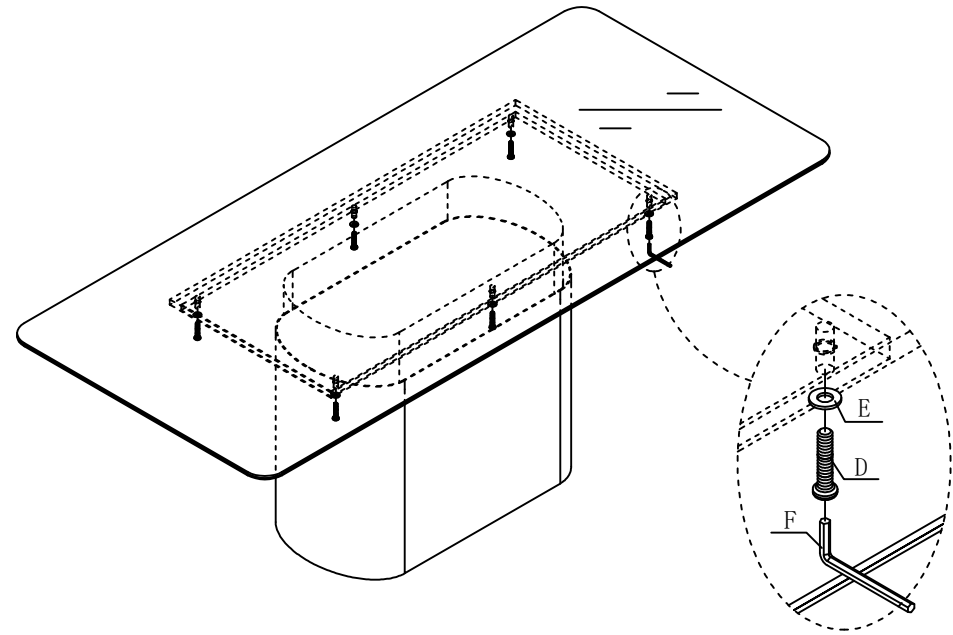
DR-482T-01-A

FITTINGS	SPEC.	AMOUNT	FITTINGS	SPEC.	AMOUNT
A	 M8x190	6pcs	B	 $\phi 20 \times \phi 10 \times 2$	6pcs
C	 M8x18	6pcs	D	 M8x30	6pcs
E	 $\phi 17 \times \phi 8 \times 2$	6pcs	F	 5mm	1pcs

1



2



3

