


VERSION: 482F

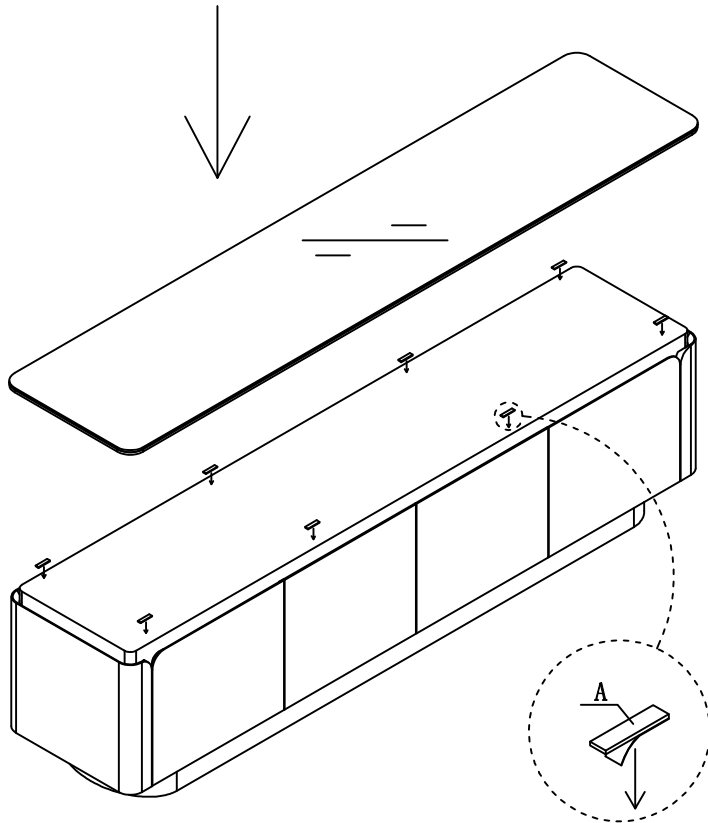
ASSEMBLY INSTRUCTION

SETTING FITTINGS

DR-482F-01-A

FITTINGS	SPEC.	AMOUNT	FITTINGS	SPEC.	AMOUNT
A	 50x10x1	8pcs			

1



2

