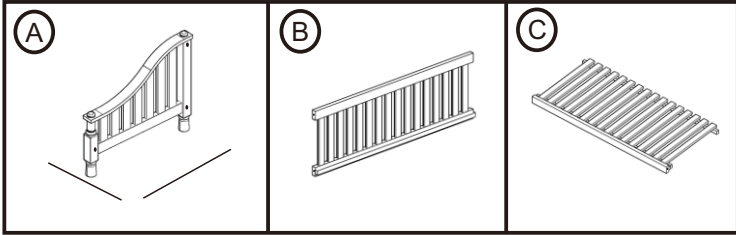


EQUADOR DAY BED

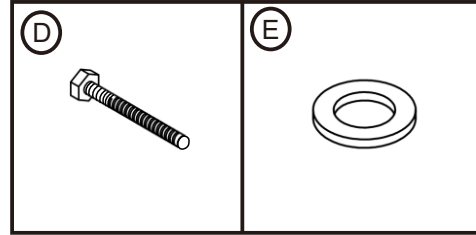
EQ01

Assembly Instruction

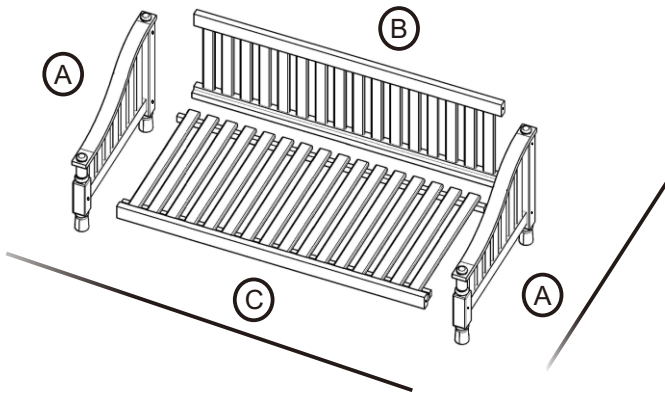
List of Part



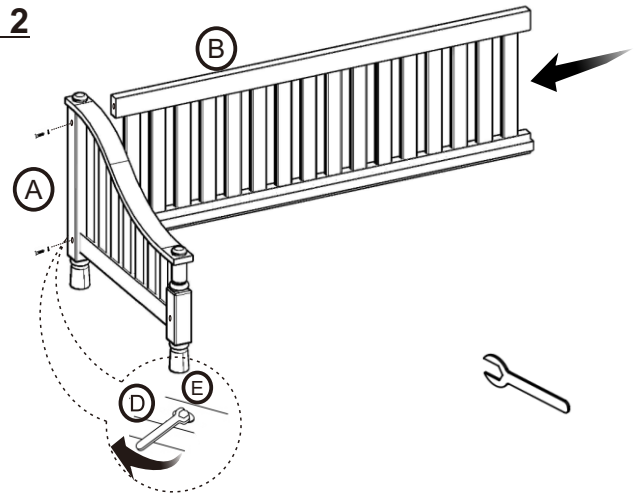
List of Hardware



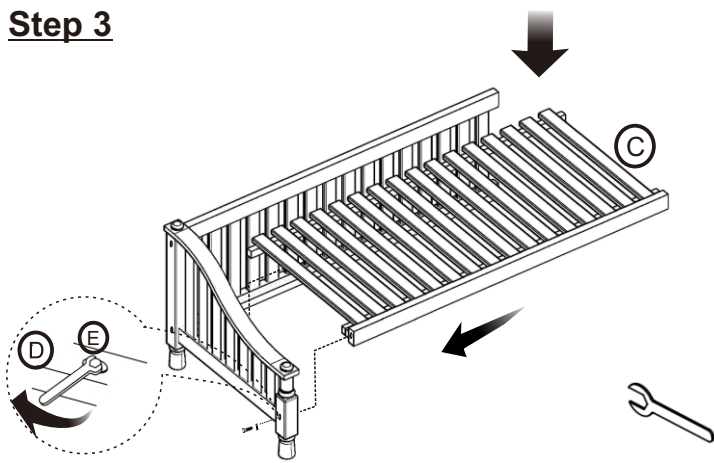
Step 1



Step 2



Step 3



Step 4

