

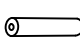






# ASSEMBLY INSTRUCTION

MODEL: MB-24106-3S

## HARDWARE LIST

NO	QTY	SIZE	ITEM
(a)	1Pc		
(b)	4Pcs		
(c)	1Pc		
(d)	16Pcs	6*18mm	
(e)	16Pcs	6*30mm	
(f)	1Pc	M4	
(g)	2Pcs		
(h)	2Pcs		