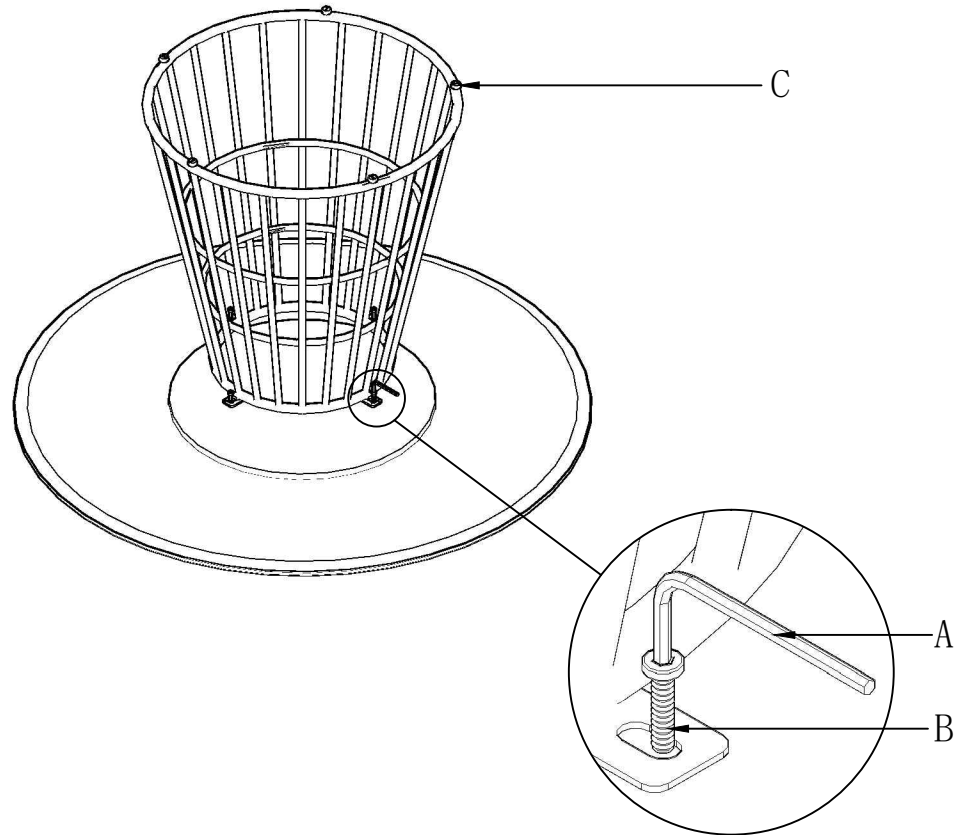
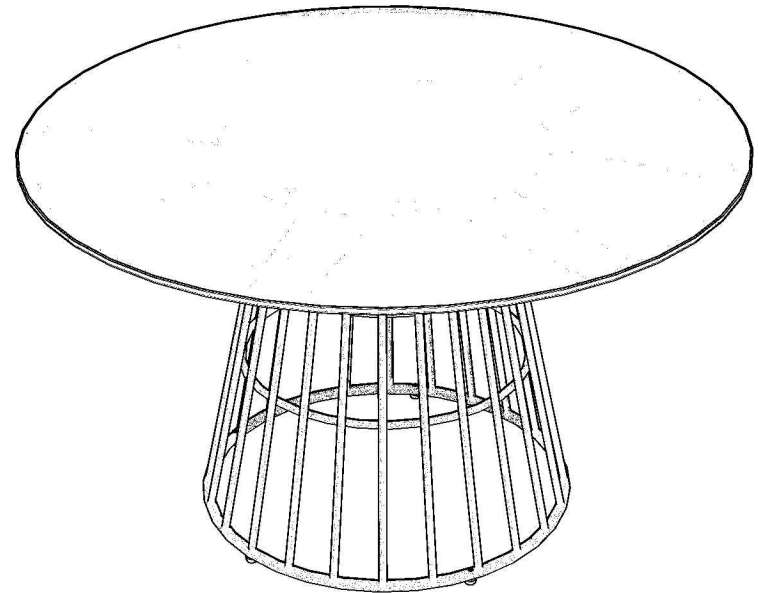




STEP1



FINISH

BY **deZign.**



A2202Q				
ITEM	DESCRIPTION	MAP	GAUGE	Q`TY
A	allen key		4mm	1
B	allen screw		M6*12	4
C	adjusting foot		∅20*7*M6*13	5