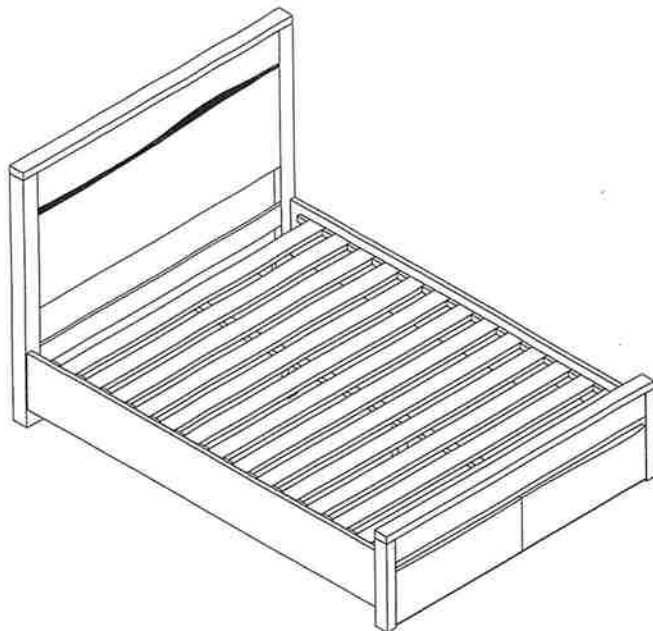
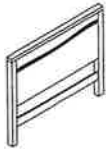






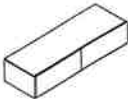




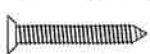
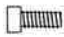
E-2178 Queen (King) Bed



Parts List

No.	Description		Qty
1		Headboard	1pc
2		Footboard	1pc
3		Slats	13pcs
4		Side Rail (L)	1pc
5		Side Rail (R)	1pc
6		Centre Support Bar	1pc
7		Centre stand	2pcs
8		Under Drawer	1pc
9			

Hardware List

No.	Description			Qty
A		Allen Key	M8	1pc
B		Washer	M6	8pcs
C		Self-Tapping Screws	M4 x 40	39pcs
D		Hexagon Socket Screws	M6 x 15	8pcs
E				
F				
G				
H				

Tool required not included:
Screw Driver

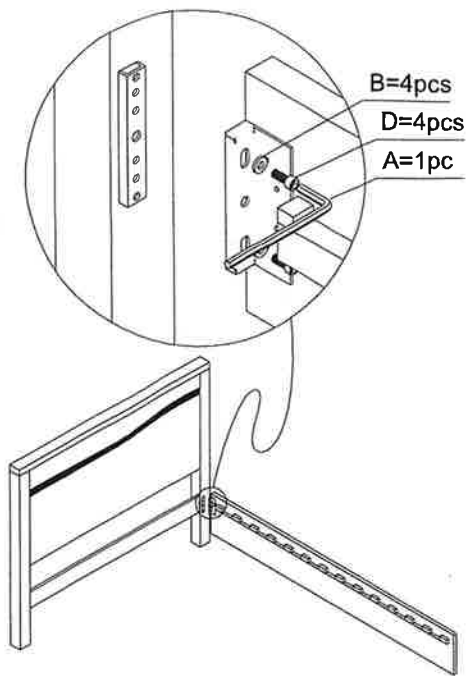


Approx: 30min Assembly Required

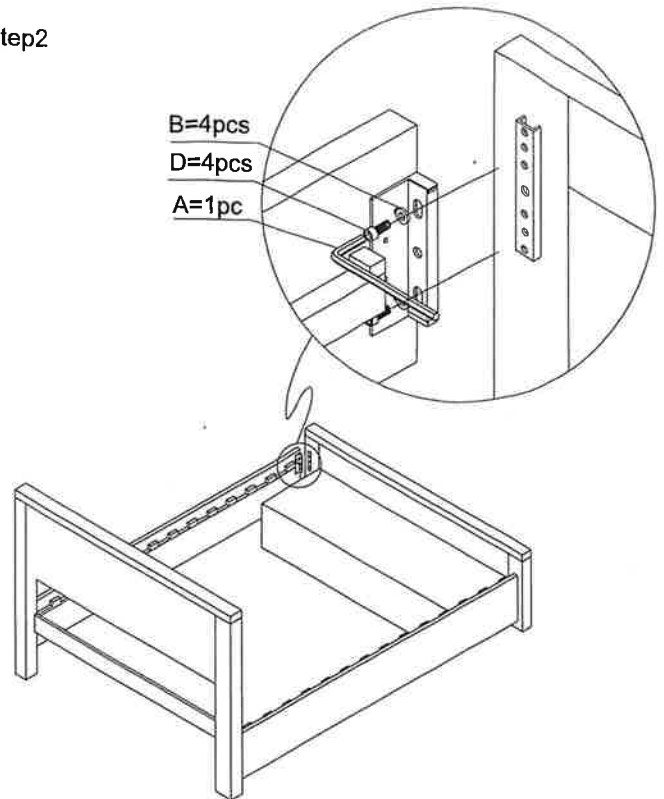
MADE IN CHINA

E-2178 Queen (King) Bed

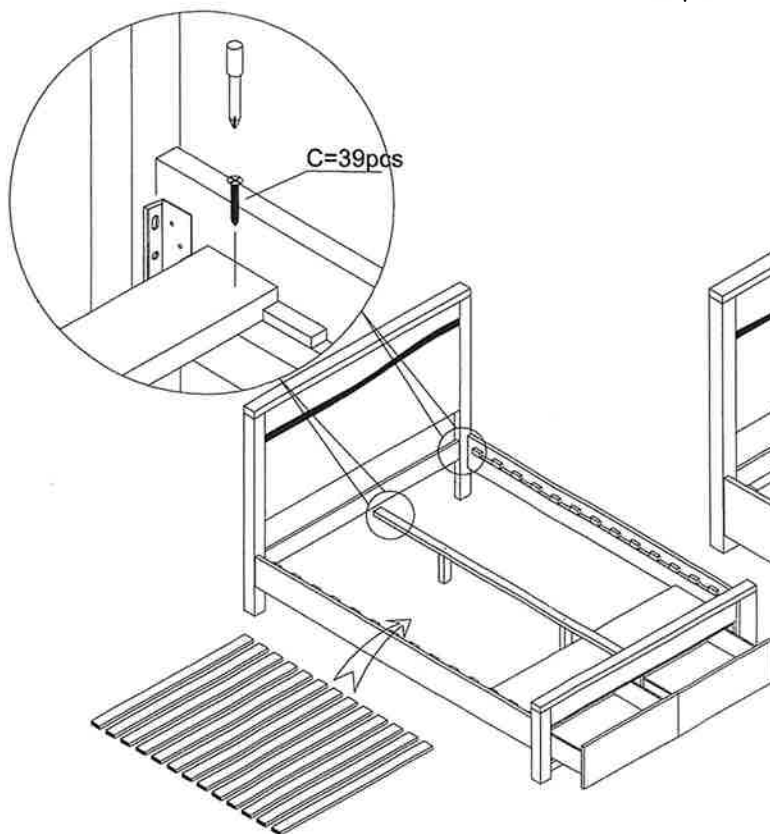
Step1



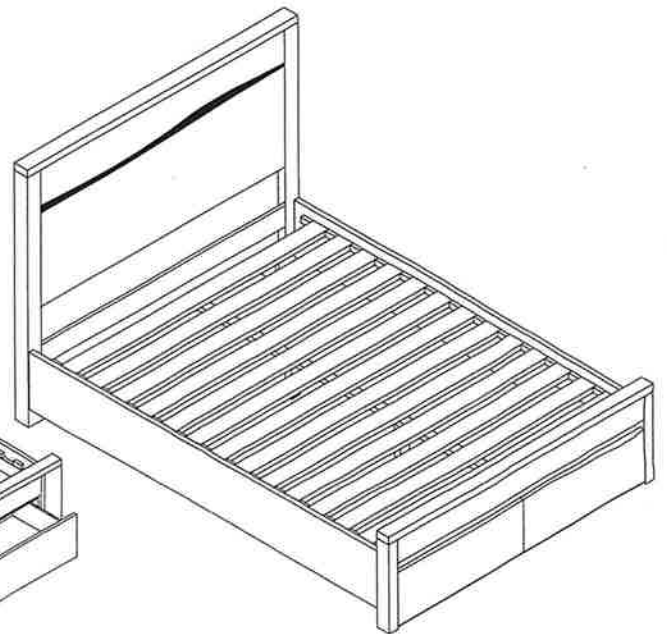
Step2



Step3



Step4



Approx: 30min Assembly Required

MADE IN CHINA