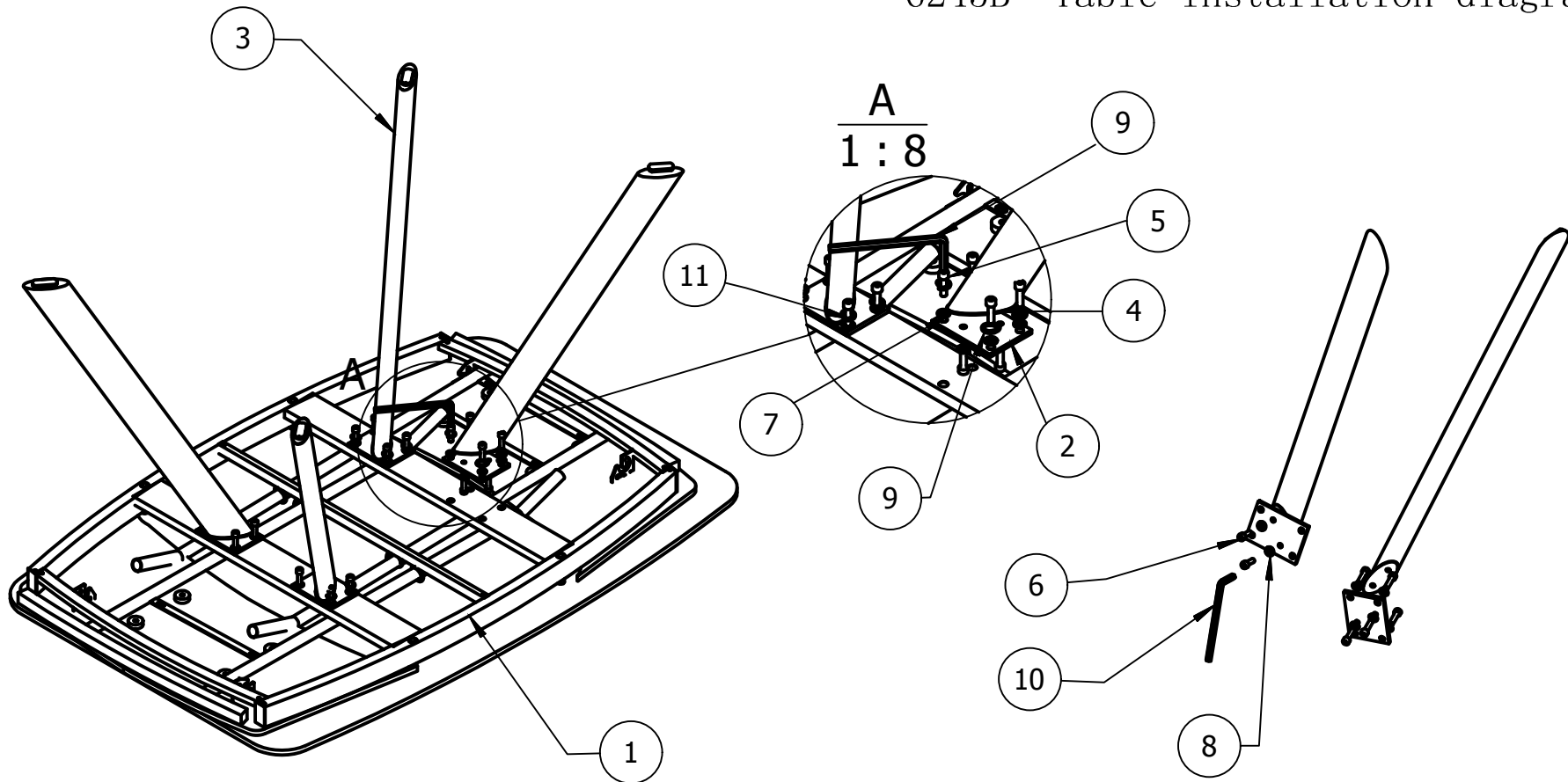


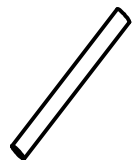


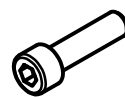


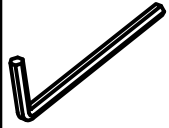
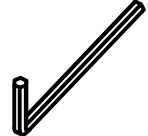



6245B Table installation diagram



<p>1. Top 2100*900*95 1 pc</p> 	<p>2. Cconnection metal 110*80*6 4 pcs</p> 	<p>3. Tube feet 4 pcs</p> 	<p>4. Ruber feet 50*20*5 4 pcs</p> 	<p>5. scerw M8*20 16 pcs</p> 	<p>6. scerw M10*20 8 PCS</p> 	<p>7. Spacer Ø17*1.5-Ø8 *1.0 16 pcs</p> 	<p>8. Spring gaker Ø13*Ø9*2.0 8 pcs</p> 	<p>9. Hex wrench 6mm 1 pc</p> 	<p>10. Hex key 8mm 1 pc</p> 	<p>11. Spring gaker Ø17*Ø11*2.0</p> 
--	--	---	--	--	--	---	---	---	---	---