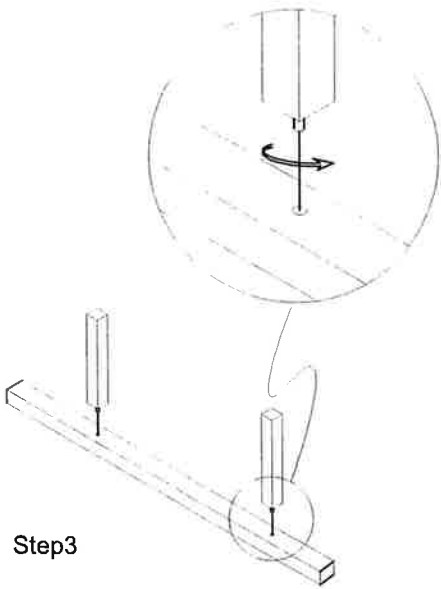
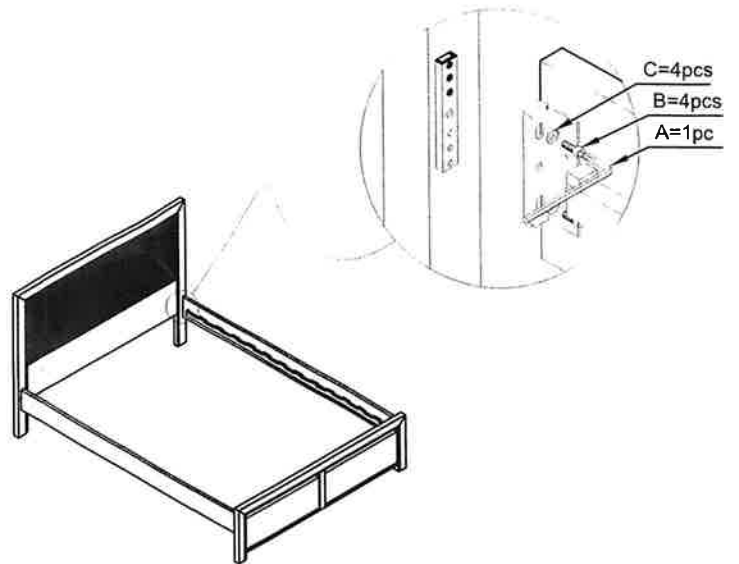


Queen (King) Bed (EJ-N1410)

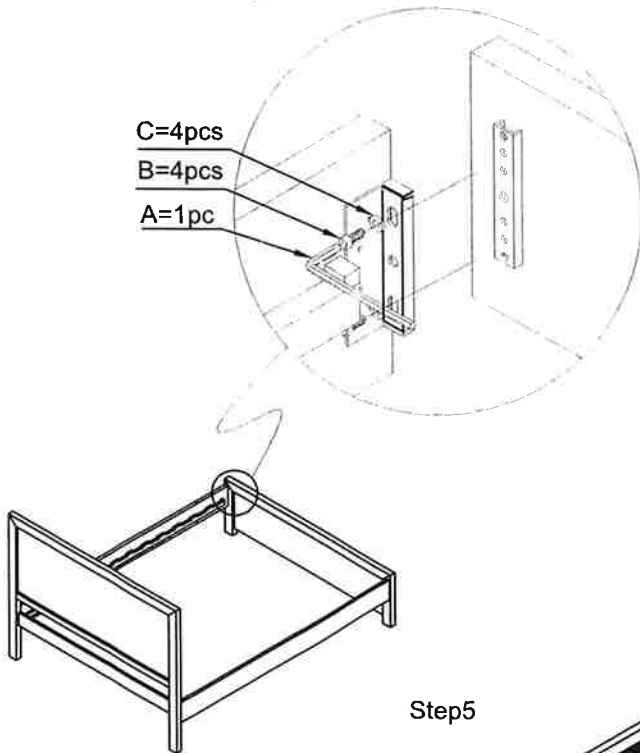
Step1



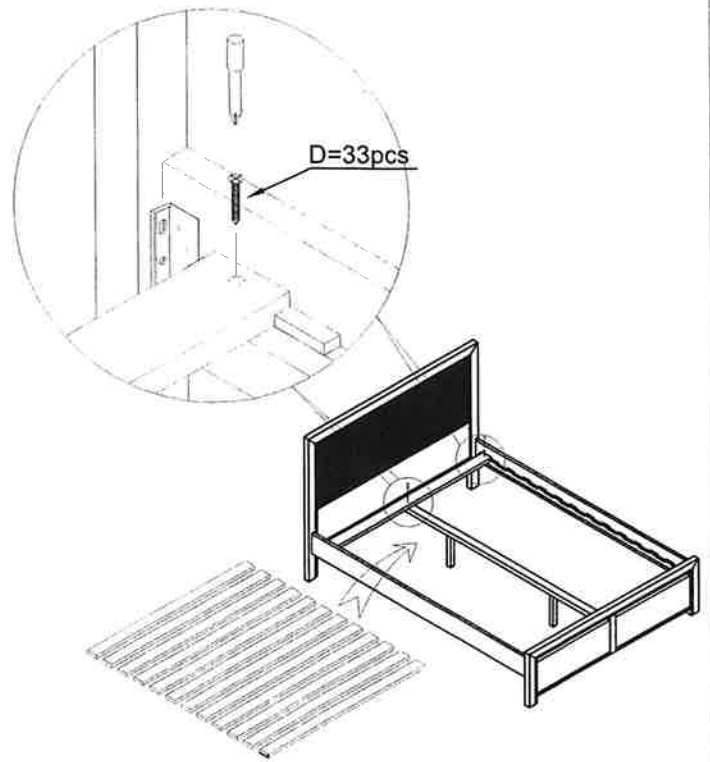
Step2



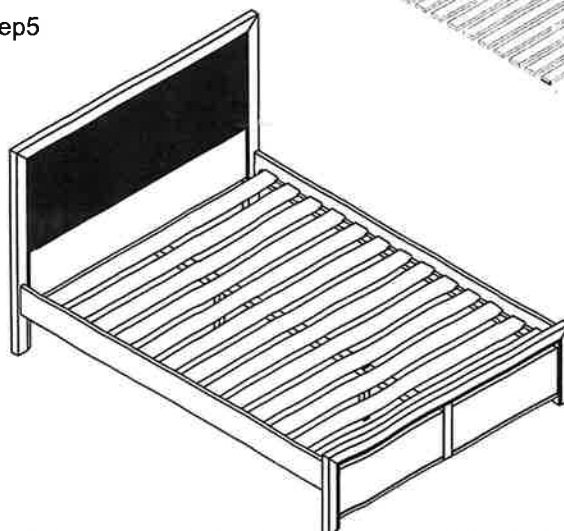
Step3



Step4



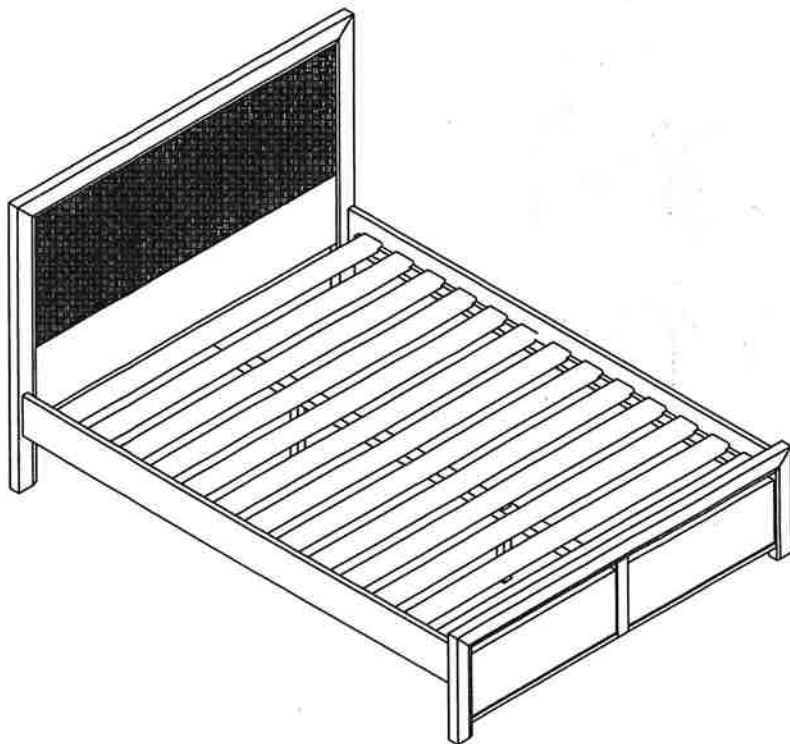
Step5


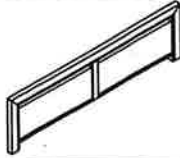








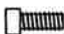


Approx: 30min Assembly Required

MADE IN CHINA

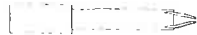
Queen (King) Bed (EJ-N1410)



Parts List			
No.	Description		Qty
1		Headboard	1pc
2		Footboard	1pc
3		Slats	13pcs
4		Side Rail (L)	1pc
5		Side Rail (R)	1pc
6		Centre Support Bar	1pc
7		Centre stand	2pcs
8			
9			

Hardware List				
No.	Description			Qty
A		Allen Key	M6	1pc
B		Hexagon Socket Screws	M6 x 15	8pcs
C		Washer	M6	8pcs
D		Self-Tapping Screws	M4 x 40	39pcs
E				
F				
G				
H				

Tool required not included:
Screw Driver



Approx: 30min Assembly Required

MADE IN CHINA