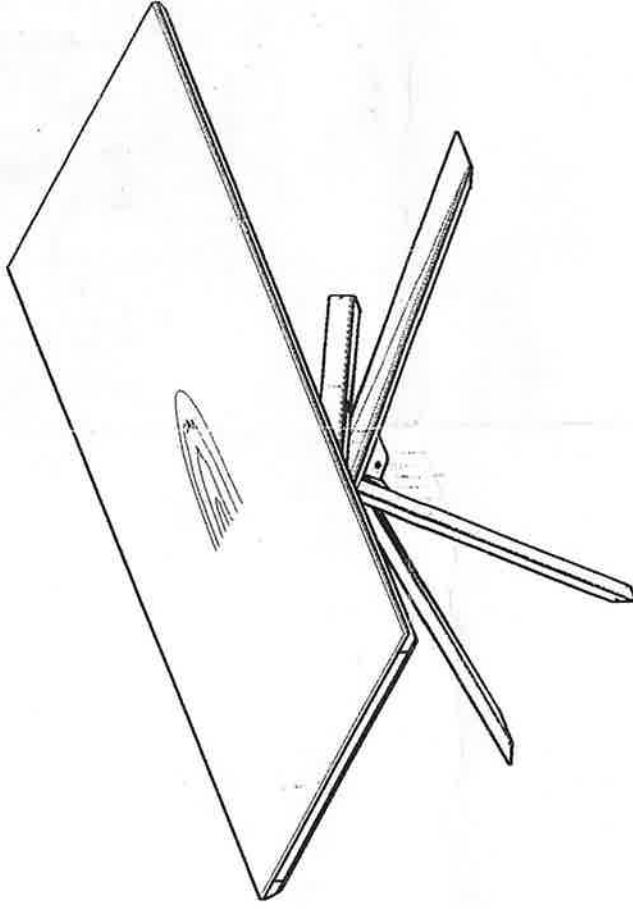


FINISH:

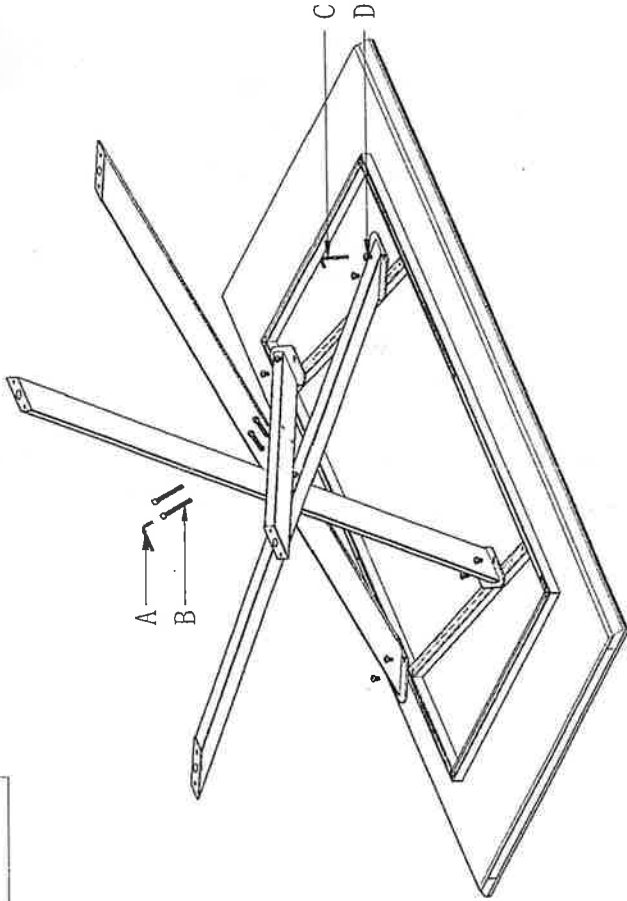
dezign



A2678L

	DESCRIPTION	MEAS	QTY	SKETCH
A	allen key	6MM	1	
B	stigma screw	M8*70	4	
C	allen key	5MM	1	
D	allen screw	M8*10	14	

STEP1:



STEP2:

