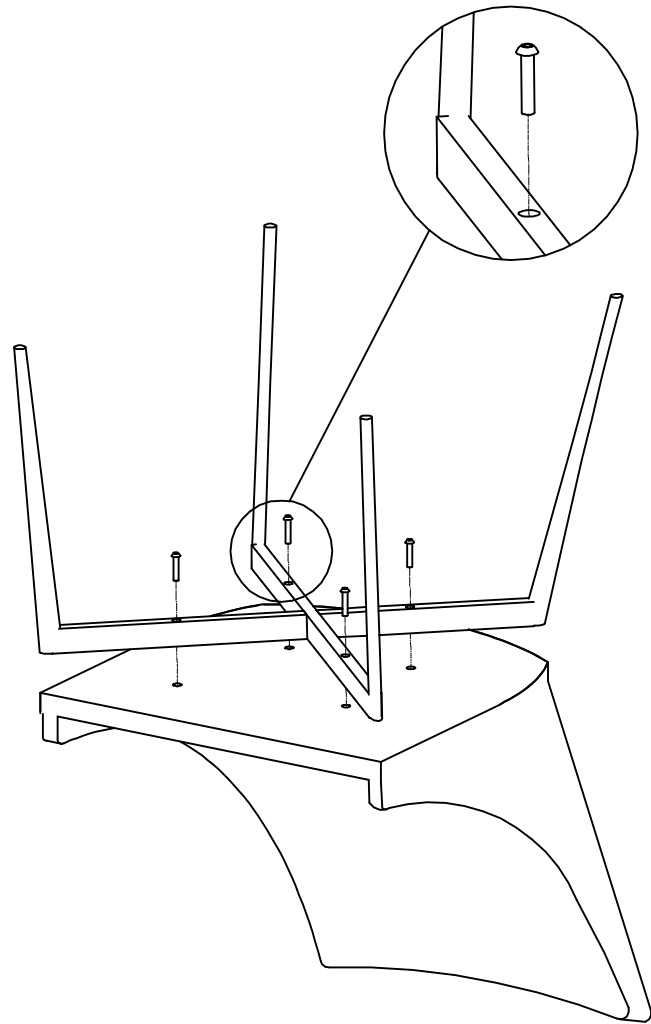
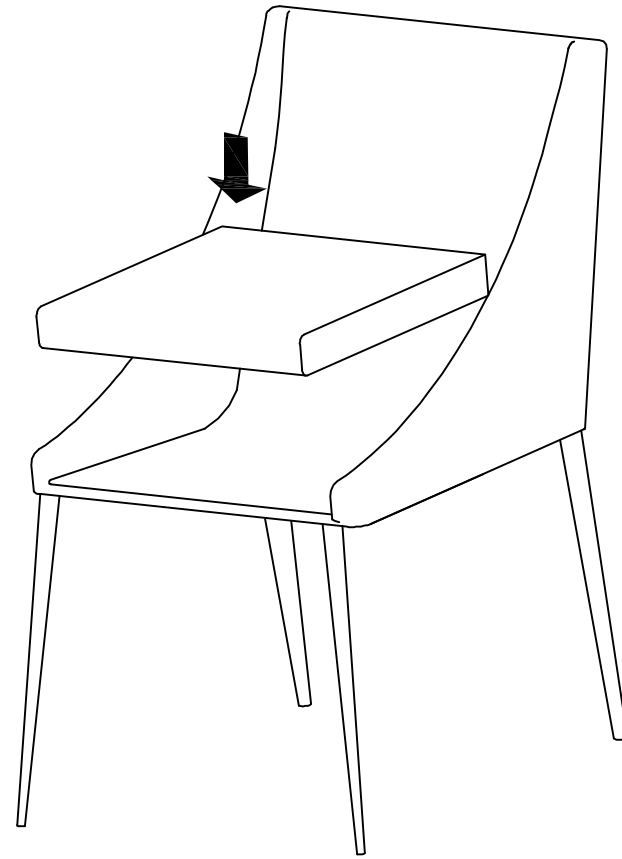


# ASSEMBLY INSTRUCTION





Step 1



Step 2

## FITTING PARTS LIST

A	B
	
1 PC	4 PCS